



YZF-R1P YZF-R1PC

SERVICE MANUAL

EAS00000

**YZF-R1P/YZF-R1PC
SERVICE MANUAL**

©2001 by Yamaha Motor Corporation, U.S.A.

First edition, December 2001

All rights reserved.

**Any reproduction or unauthorized use
without the written permission of
Yamaha Motor Corporation, U.S.A.
is expressly prohibited.**

Printed in U.S.A.

P/N LIT-11616-15-47

NOTICE

This manual was produced by the Yamaha Motor Company, Ltd. primarily for use by Yamaha dealers and their qualified mechanics. It is not possible to include all the knowledge of a mechanic in one manual. Therefore, anyone who uses this book to perform maintenance and repairs on Yamaha vehicles should have a basic understanding of mechanics and the techniques to repair these types of vehicles. Repair and maintenance work attempted by anyone without this knowledge is likely to render the vehicle unsafe and unfit for use.

This model has been designed and manufactured to perform within certain specifications in regard to performance and emissions. Proper service with the correct tools is necessary to ensure that the vehicle will operate as designed. If there is any question about a service procedure, it is imperative that you contact a Yamaha dealer for any service information changes that apply to this model. This policy is intended to provide the customer with the most satisfaction from his vehicle and to conform to federal environmental quality objectives.

Yamaha Motor Company, Ltd. is continually striving to improve all of its models. Modifications and significant changes in specifications or procedures will be forwarded to all authorized Yamaha dealers and will appear in future editions of this manual where applicable.

NOTE:

- This Service Manual contains information regarding periodic maintenance to the emission control system. Please read this material carefully.
 - Designs and specifications are subject to change without notice.
-

IMPORTANT MANUAL INFORMATION

Particularly important information is distinguished in this manual by the following.



The Safety Alert Symbol means ATTENTION! BECOME ALERT! YOUR SAFETY IS INVOLVED!

WARNING

Failure to follow WARNING instructions could result in severe injury or death to the motorcycle operator, a bystander or a person checking or repairing the motorcycle.

CAUTION:

A CAUTION indicates special precautions that must be taken to avoid damage to the motorcycle.

NOTE:

A NOTE provides key information to make procedures easier or clearer.

HOW TO USE THIS MANUAL

This manual is intended as a handy, easy-to-read reference book for the mechanic. Comprehensive explanations of all installation, removal, disassembly, assembly, repair and check procedures are laid out with the individual steps in sequential order.

- ① The manual is divided into chapters. An abbreviation and symbol in the upper right corner of each page indicate the current chapter.
Refer to "SYMBOLS".
- ② Each chapter is divided into sections. The current section title is shown at the top of each page, except in chapter 3 ("PERIODIC CHECKS AND ADJUSTMENTS"), where the sub-section title(s) appears.
- ③ Sub-section titles appear in smaller print than the section title.
- ④ To help identify parts and clarify procedure steps, there are exploded diagrams at the start of each removal and disassembly section.
- ⑤ Numbers are given in the order of the jobs in the exploded diagram. A circled number indicates a disassembly step.
- ⑥ Symbols indicate parts to be lubricated or replaced.
Refer to "SYMBOLS".
- ⑦ A job instruction chart accompanies the exploded diagram, providing the order of jobs, names of parts, notes in jobs, etc.
- ⑧ Jobs requiring more information (such as special tools and technical data) are described sequentially.

⑥ ② ①

CLUTCH ENG

CLUTCH

CLUTCH COVER

④

⑤

⑦

Order	Job/Part	Q'ty	Remarks
Removing the clutch cover			
Bottom cowling and right side cowling			
Engine oil			
1	Clutch cable	1	Remove the parts in the order listed. Refer to "COWLINGS" in chapter 3. Drain. Refer to "CHANGING THE ENGINE OIL" in chapter 3.
2	Clutch cover	1	
3	Clutch cover gasket	1	
4	Dowel pin	2	
For installation, reverse the removal procedure.			

5-40

CLUTCH ENG

CLUTCH

REMOVING THE CLUTCH ←

1. Straighten the lock washer tab.
2. Loosen:
 - clutch boss nut ①

NOTE:
While holding the clutch boss ② with the universal clutch holder ③, loosen the clutch boss nut.

Universal clutch holder
90890-04085

3. Remove:
 - clutch boss nut ①
 - lock washer ②
 - clutch boss assembly ③
 - thrust washer ④

NOTE:
There is a built-in damper between the clutch boss and the clutch plate. It is not necessary to remove the wire circlip ⑤ and disassemble the built-in damper unless there is serious clutch chattering.

CHECKING THE FRICTION PLATES
The following procedure applies to all of the friction plates:

1. Check:
 - friction plate
 - Damage/wear → Replace the friction plates as a set.
2. Measure:
 - friction plate thickness
 - Out of specification → Replace the friction plates as a set.

NOTE:
Measure the friction plate at four places.

Friction plate thickness
2.9 - 3.1 mm
<Limits> 2.8 mm

③

⑧

5-44

SYMBOLS

The following symbols are not relevant to every vehicle.

Symbols ① to ⑨ indicate the subject of each chapter.

- ① General information
- ② Specifications
- ③ Periodic checks and adjustments
- ④ Chassis
- ⑤ Engine
- ⑥ Cooling system
- ⑦ Fuel injection system
- ⑧ Electrical system
- ⑨ Troubleshooting

Symbols ⑩ to ⑰ indicate the following.

- ⑩ Serviceable with engine mounted
- ⑪ Filling fluid
- ⑫ Lubricant
- ⑬ Special tool
- ⑭ Tightening torque
- ⑮ Wear limit, clearance
- ⑯ Engine speed
- ⑰ Electrical data

Symbols ⑱ to ㉓ in the exploded diagrams indicate the types of lubricants and lubrication points.

- ⑱ Engine oil
- ⑲ Gear oil
- ⑳ Molybdenum-disulfide oil
- ㉑ Wheel-bearing grease
- ㉒ Lithium-soap-base grease
- ㉓ Molybdenum-disulfide grease

Symbols ㉔ to ㉕ in the exploded diagrams indicate the following.

- ㉔ Apply locking agent (LOCTITE®)
- ㉕ Replace the part

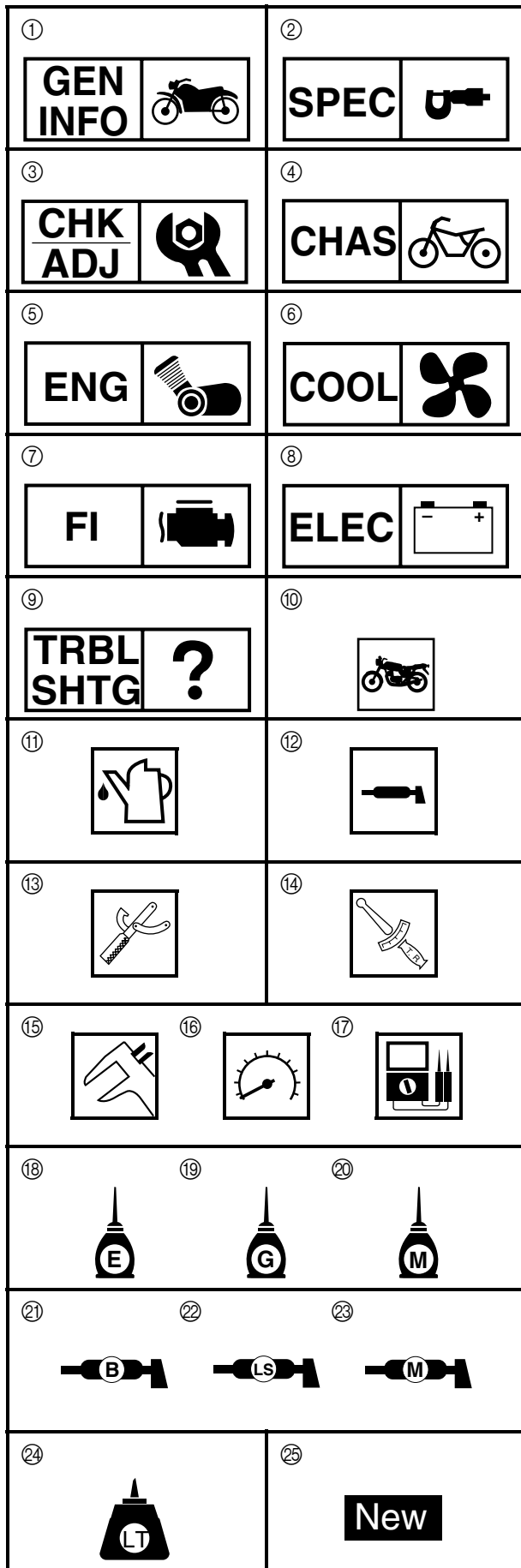







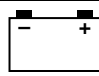



TABLE OF CONTENTS

GENERAL INFORMATION		GEN INFO	1
SPECIFICATIONS		SPEC	2
PERIODIC CHECKS AND ADJUSTMENTS		CHK ADJ	3
CHASSIS		CHAS	4
ENGINE		ENG	5
COOLING SYSTEM		COOL	6
FUEL INJECTION SYSTEM		FI	7
ELECTRICAL SYSTEM		ELEC	8
TROUBLESHOOTING		TRBL SHTG	9

CHAPTER 1

GENERAL INFORMATION

MOTORCYCLE IDENTIFICATION	1-1
VEHICLE IDENTIFICATION NUMBER	1-1
MODEL LABEL	1-1
FEATURES	1-2
OUTLINE OF FI SYSTEM	1-2
FI SYSTEM	1-3
COMPONENTS	1-5
FUEL INJECTION SYSTEM	1-16
THREE-WAY CATALYTIC CONVERTER SYSTEM	1-19
INSTRUMENT FUNCTION	1-20
IMPORTANT INFORMATION	1-23
PREPARATION FOR REMOVAL AND DISASSEMBLY	1-23
REPLACEMENT PARTS	1-23
GASKETS, OIL SEALS AND O-RINGS	1-23
LOCK WASHERS/PLATES AND COTTER PINS	1-24
BEARINGS AND OIL SEALS	1-24
CIRCLIPS	1-24
CHECKING THE CONNECTIONS	1-25
SPECIAL TOOLS	1-26

CHAPTER 2

SPECIFICATIONS

GENERAL SPECIFICATIONS	2-1
ENGINE SPECIFICATIONS	2-2
CHASSIS SPECIFICATIONS	2-11
ELECTRICAL SPECIFICATIONS	2-15
CONVERSION TABLE	2-17

TIGHTENING TORQUES	2-17
GENERAL TIGHTENING TORQUE SPECIFICATIONS	2-17
ENGINE TIGHTENING TORQUES	2-18
CHASSIS TIGHTENING TORQUES	2-21
LUBRICATION POINTS AND LUBRICANT TYPES	2-23
ENGINE	2-23
CHASSIS	2-24
COOLING SYSTEM DIAGRAMS	2-25
ENGINE OIL LUBRICATION CHART	2-29
LUBRICATION DIAGRAMS	2-30
CABLE ROUTING	2-35

CHAPTER 3

PERIODIC CHECKS AND ADJUSTMENTS

INTRODUCTION	3-1
PERIODIC MAINTENANCE CHART FOR THE EMISSION CONTROL SYSTEM	3-1
GENERAL MAINTENANCE AND LUBRICATION CHART	3-1
SEATS	3-3
FUEL TANK	3-4
REMOVING THE FUEL TANK	3-5
REMOVING THE FUEL PUMP	3-5
INSTALLING THE FUEL PUMP	3-6
INSTALLING THE FUEL HOSE	3-6
COWLINGS	3-7
AIR FILTER CASE	3-8

ENGINE	3-9
ADJUSTING THE VALVE CLEARANCE	3-9
SYNCHRONIZING THE THROTTLE BODIES	3-14
ADJUSTING THE ENGINE IDLING SPEED	3-16
ADJUSTING THE THROTTLE CABLE FREE PLAY	3-17
CHECKING THE SPARK PLUGS	3-19
MEASURING THE COMPRESSION PRESSURE	3-20
CHECKING THE ENGINE OIL LEVEL	3-23
CHANGING THE ENGINE OIL	3-24
ADJUSTING THE CLUTCH CABLE FREE PLAY	3-26
REPLACING THE AIR FILTER ELEMENT	3-28
CHECKING THE FUEL AND BREATHER HOSES	3-29
CHECKING THE CRANKCASE BREATHER HOSE	3-29
CHECKING THE EXHAUST SYSTEM	3-30
ADJUSTING THE EXUP CABLES	3-31
CHECKING THE COOLANT LEVEL	3-32
CHECKING THE COOLING SYSTEM	3-33
CHANGING THE COOLANT	3-34
CHASSIS	3-37
ADJUSTING THE FRONT BRAKE	3-37
ADJUSTING THE REAR BRAKE	3-38
CHECKING THE BRAKE FLUID LEVEL	3-39
CHECKING THE FRONT AND REAR BRAKE PADS	3-40
ADJUSTING THE REAR BRAKE LIGHT SWITCH	3-40
CHECKING THE FRONT AND REAR BRAKE HOSES	3-41
BLEEDING THE HYDRAULIC BRAKE SYSTEM	3-41
ADJUSTING THE SHIFT PEDAL	3-43
ADJUSTING THE DRIVE CHAIN SLACK	3-43
LUBRICATING THE DRIVE CHAIN	3-45
CHECKING AND ADJUSTING THE STEERING HEAD	3-45
CHECKING THE FRONT FORK	3-48
ADJUSTING THE FRONT FORK LEGS	3-49
ADJUSTING THE REAR SHOCK ABSORBER ASSEMBLY	3-51
CHECKING THE TIRES	3-53
CHECKING THE WHEELS	3-56
CHECKING AND LUBRICATING THE CABLES	3-57
LUBRICATING THE LEVERS AND PEDALS	3-57
LUBRICATING THE SIDESTAND	3-57
LUBRICATING THE REAR SUSPENSION	3-57
ELECTRICAL SYSTEM	3-58
CHECKING AND CHARGING THE BATTERY	3-58
CHECKING THE FUSES	3-63
REPLACING THE HEADLIGHT BULBS	3-65
ADJUSTING THE HEADLIGHT BEAM	3-66

CHAPTER 4

CHASSIS

FRONT WHEEL AND BRAKE DISCS	4-1
FRONT WHEEL	4-2
REMOVING THE FRONT WHEEL	4-3
CHECKING THE FRONT WHEEL	4-3
CHECKING THE BRAKE DISCS	4-5
INSTALLING THE FRONT WHEEL	4-6
ADJUSTING THE FRONT WHEEL STATIC BALANCE	4-7
REAR WHEEL AND BRAKE DISC	4-9
REAR WHEEL	4-10
REMOVING THE REAR WHEEL	4-12
CHECKING THE REAR WHEEL	4-13
CHECKING THE REAR WHEEL DRIVE HUB	4-13
CHECKING AND REPLACING THE REAR WHEEL SPROCKET	4-14
INSTALLING THE REAR WHEEL	4-14
ADJUSTING THE REAR WHEEL STATIC BALANCE	4-15
FRONT AND REAR BRAKES	4-16
FRONT BRAKE PADS	4-16
REAR BRAKE PADS	4-17
REPLACING THE FRONT BRAKE PADS	4-18
REPLACING THE REAR BRAKE PADS	4-21
FRONT BRAKE MASTER CYLINDER	4-23
REAR BRAKE MASTER CYLINDER	4-26
DISASSEMBLING THE FRONT BRAKE MASTER CYLINDER	4-28
DISASSEMBLING THE REAR BRAKE MASTER CYLINDER	4-28
CHECKING THE FRONT AND REAR BRAKE MASTER CYLINDERS	4-29
ASSEMBLING AND INSTALLING THE FRONT BRAKE MASTER CYLINDER	4-30
ASSEMBLING THE REAR BRAKE MASTER CYLINDER	4-32
FRONT BRAKE CALIPERS	4-34
REAR BRAKE CALIPER	4-36
DISASSEMBLING THE FRONT BRAKE CALIPERS	4-38
DISASSEMBLING THE REAR BRAKE CALIPER	4-39
CHECKING THE FRONT AND REAR BRAKE CALIPERS	4-40
ASSEMBLING AND INSTALLING THE FRONT BRAKE CALIPERS	4-41
ASSEMBLING AND INSTALLING THE REAR BRAKE CALIPER	4-43
FRONT FORK	4-45
REMOVING THE FRONT FORK LEGS	4-48
DISASSEMBLING THE FRONT FORK LEGS	4-48
CHECKING THE FRONT FORK LEGS	4-50
ASSEMBLING THE FRONT FORK LEGS	4-51
INSTALLING THE FRONT FORK LEGS	4-55

HANDLEBARS	4-56
REMOVING THE HANDLEBARS	4-58
CHECKING THE HANDLEBARS	4-58
INSTALLING THE HANDLEBARS	4-58
STEERING HEAD	4-61
REMOVING THE LOWER BRACKET	4-63
CHECKING THE STEERING HEAD	4-63
INSTALLING THE STEERING HEAD	4-64
REAR SHOCK ABSORBER ASSEMBLY	4-65
HANDLING THE REAR SHOCK ABSORBER AND GAS CYLINDER	4-66
DISPOSING OF A REAR SHOCK ABSORBER AND GAS CYLINDER	4-66
REMOVING THE REAR SHOCK ABSORBER ASSEMBLY	4-67
CHECKING THE REAR SHOCK ABSORBER ASSEMBLY	4-68
INSTALLING THE REAR SHOCK ABSORBER ASSEMBLY	4-68
SWINGARM AND DRIVE CHAIN	4-69
REMOVING THE SWINGARM	4-71
REMOVING THE DRIVE CHAIN	4-72
CHECKING THE SWINGARM	4-72
CHECKING THE DRIVE CHAIN	4-73
INSTALLING THE SWINGARM	4-75

CHAPTER 5

OVERHAULING THE ENGINE

ENGINE	5-1
DRIVE SPROCKET	5-1
EXHAUST PIPE	5-2
LEADS AND HOSES	5-4
ENGINE	5-6
INSTALLING THE ENGINE	5-7
CAMSHAFT	5-8
CYLINDER HEAD COVERS	5-8
CAMSHAFTS	5-9
REMOVING THE CAMSHAFTS	5-11
CHECKING THE CAMSHAFTS	5-12
CHECKING THE TIMING CHAIN, CAMSHAFT SPROCKETS, AND TIMING CHAIN GUIDES	5-14
CHECKING THE TIMING CHAIN TENSIONER	5-15
INSTALLING THE CAMSHAFTS	5-15

CYLINDER HEAD	5-19
REMOVING THE CYLINDER HEAD	5-20
CHECKING THE CYLINDER HEAD	5-20
INSTALLING THE CYLINDER HEAD	5-21
VALVES AND VALVE SPRINGS	5-22
REMOVING THE VALVES	5-24
CHECKING THE VALVES AND VALVE GUIDES	5-25
CHECKING THE VALVE SEATS	5-27
CHECKING THE VALVE SPRINGS	5-28
CHECKING THE VALVE LIFTERS	5-29
INSTALLING THE VALVES	5-29
GENERATOR	5-32
REMOVING THE GENERATOR	5-33
INSTALLING THE GENERATOR	5-33
PICKUP COIL	5-36
REMOVING THE PICKUP COIL ROTOR	5-38
INSTALLING THE PICKUP COIL ROTOR	5-38
CLUTCH	5-40
CLUTCH COVER	5-40
PULL LEVER SHAFT	5-41
CLUTCH	5-42
REMOVING THE CLUTCH	5-44
CHECKING THE FRICTION PLATES	5-44
CHECKING THE CLUTCH PLATES	5-45
CHECKING THE CLUTCH HOUSING	5-45
CHECKING THE CLUTCH BOSS	5-45
CHECKING THE PRESSURE PLATE	5-46
CHECKING THE PULL LEVER SHAFT AND PULL ROD	5-46
CHECKING THE STARTER CLUTCH	5-46
INSTALLING THE CLUTCH	5-47
SHIFT SHAFT	5-49
SHIFT SHAFT AND STOPPER LEVER	5-49
CHECKING THE SHIFT SHAFT	5-50
CHECKING THE STOPPER LEVER	5-50
INSTALLING THE SHIFT SHAFT	5-50

OIL PAN AND OIL PUMP	5-51
OIL PUMP	5-53
REMOVING THE OIL PAN	5-54
CHECKING THE OIL PUMP	5-54
CHECKING THE RELIEF VALVE	5-55
CHECKING THE OIL DELIVERY PIPES	5-55
CHECKING THE OIL STRAINER	5-55
ASSEMBLING THE OIL PUMP	5-56
INSTALLING THE OIL PUMP	5-56
INSTALLING THE OIL STRAINER	5-57
INSTALLING THE OIL PAN	5-57
CRANKCASE	5-58
DISASSEMBLING THE CRANKCASE	5-60
CHECKING THE CRANKCASE	5-61
CHECKING THE BEARINGS AND OIL SEALS	5-61
CHECKING THE SPROCKET AND CHAINS	5-61
ASSEMBLING THE CRANKCASE	5-62
CONNECTING RODS AND PISTONS	5-64
REMOVING THE CONNECTING RODS AND PISTONS	5-65
REMOVING THE CRANKSHAFT ASSEMBLY	5-66
CHECKING THE CYLINDER AND PISTONS	5-66
CHECKING THE PISTON RINGS	5-68
CHECKING THE PISTON PINS	5-69
CHECKING THE BIG END BEARINGS	5-69
INSTALLING THE CONNECTING ROD AND PISTON	5-72
CRANKSHAFT	5-76
CHECKING THE CRANKSHAFT	5-77
CHECKING THE CRANKSHAFT JOURNAL BEARINGS	5-77
INSTALLING THE CRANKSHAFT	5-80
TRANSMISSION	5-81
REMOVING THE TRANSMISSION	5-87
CHECKING THE SHIFT FORKS	5-87
CHECKING THE SHIFT DRUM ASSEMBLY	5-88
CHECKING THE TRANSMISSION	5-88
INSTALLING THE TRANSMISSION	5-89

CHAPTER 6

COOLING SYSTEM

RADIATOR	6-1
CHECKING THE RADIATOR	6-3
INSTALLING THE RADIATOR	6-4
OIL COOLER	6-5
CHECKING THE OIL COOLER	6-6
INSTALLING THE OIL COOLER	6-6
THERMOSTAT	6-7
CHECKING THE THERMOSTAT	6-10
ASSEMBLING THE THERMOSTAT ASSEMBLY	6-11
INSTALLING THE THERMOSTAT ASSEMBLY	6-11
WATER PUMP	6-12
DISASSEMBLING THE WATER PUMP	6-14
CHECKING THE WATER PUMP	6-14
ASSEMBLING THE WATER PUMP	6-15

CHAPTER 7

FUEL INJECTION SYSTEM

FUEL INJECTION SYSTEM	7-1
WIRING DIAGRAM	7-2
ECU'S SELF-DIAGNOSTIC FUNCTION	7-3
SUBSTITUTE CHARACTERISTICS OPERATION CONTROL (FAIL-SAFE ACTION)	7-4
FAIL-SAFE ACTIONS TABLE	7-4
TROUBLESHOOTING CHART	7-5
DIAGNOSTIC MODE	7-6
TROUBLESHOOTING DETAILS	7-12
THROTTLE BODIES	7-29
CHECKING THE INJECTOR	7-33
CHECKING THE THROTTLE BODY	7-33
CHECKING THE PRESSURE REGULATOR	7-34
CHECKING THE FUEL PUMP AND PRESSURE REGULATOR OPERATION	7-34
CHECKING AND ADJUSTING THE THROTTLE POSITION SENSOR	7-35

AIR INDUCTION SYSTEM	7-37
AIR INDUCTION	7-37
AIR CUT-OFF VALVE	7-37
AIR INDUCTION SYSTEM DIAGRAMS	7-38
CHECKING THE AIR INDUCTION SYSTEM	7-39

CHAPTER 8 ELECTRICAL

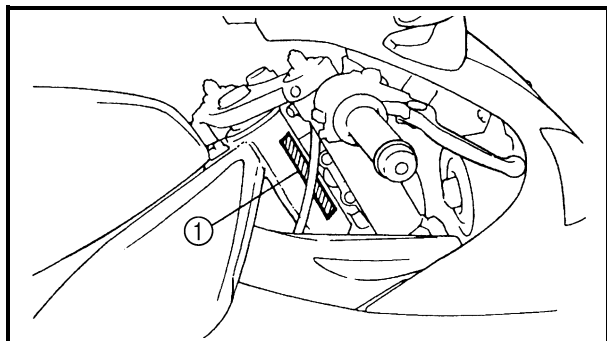
ELECTRICAL COMPONENTS	8-1
CHECKING SWITCH CONTINUITY	8-3
CHECKING THE SWITCHES	8-4
CHECKING THE BULBS AND BULB SOCKETS	8-5
TYPES OF BULBS	8-5
CHECKING THE CONDITION OF THE BULBS	8-6
CHECKING THE CONDITION OF THE BULB SOCKETS	8-7
CHECKING THE LEDs	8-7
IGNITION SYSTEM	8-8
CIRCUIT DIAGRAM	8-8
TROUBLESHOOTING	8-9
ELECTRIC STARTING SYSTEM	8-13
CIRCUIT DIAGRAM	8-13
STARTING CIRCUIT CUT-OFF SYSTEM OPERATION	8-14
TROUBLESHOOTING	8-15
STARTER MOTOR	8-18
CHECKING THE STARTER MOTOR	8-20
ASSEMBLING THE STARTER MOTOR	8-21
CHARGING SYSTEM	8-22
CIRCUIT DIAGRAM	8-22
TROUBLESHOOTING	8-23
LIGHTING SYSTEM	8-25
CIRCUIT DIAGRAM	8-25
TROUBLESHOOTING	8-27
CHECKING THE LIGHTING SYSTEM	8-29
SIGNALING SYSTEM	8-32
CIRCUIT DIAGRAM	8-32
TROUBLESHOOTING	8-34
CHECKING THE SIGNALING SYSTEM	8-34

COOLING SYSTEM	8-41
CIRCUIT DIAGRAM	8-41
TROUBLESHOOTING	8-42
FUEL PUMP SYSTEM	8-45
CIRCUIT DIAGRAM	8-45
FUEL PUMP SYSTEM	8-46
TROUBLESHOOTING	8-47
CHECKING THE FUEL PUMP	8-49

CHAPTER 9 TROUBLESHOOTING

STARTING FAILURES	9-1
ENGINE	9-1
FUEL SYSTEM	9-1
ELECTRICAL SYSTEMS	9-2
INCORRECT ENGINE IDLING SPEED	9-2
ENGINE	9-2
FUEL SYSTEM	9-2
ELECTRICAL SYSTEMS	9-2
POOR MEDIUM-AND-HIGH-SPEED PERFORMANCE	9-3
ENGINE	9-3
FUEL SYSTEM	9-3
FAULTY GEAR SHIFTING	9-3
SHIFTING IS DIFFICULT	9-3
SHIFT PEDAL DOES NOT MOVE	9-3
JUMPS OUT OF GEAR	9-3
FAULTY CLUTCH	9-3
CLUTCH SLIPS	9-3
CLUTCH DRAGS	9-3
OVERHEATING	9-4
ENGINE	9-4
COOLING SYSTEM	9-4
FUEL SYSTEM	9-4
CHASSIS	9-4
ELECTRICAL SYSTEMS	9-4
OVERCOOLING	9-4
COOLING SYSTEM	9-4
POOR BRAKING PERFORMANCE	9-4

FAULTY FRONT FORK LEGS	9-5
LEAKING OIL	9-5
MALFUNCTION	9-5
UNSTABLE HANDLING	9-5
FAULTY LIGHTING OR SIGNALING SYSTEM	9-6
HEADLIGHT DOES NOT COME ON	9-6
HEADLIGHT BULB BURNT OUT	9-6
TAIL/BRAKE LIGHT DOES NOT COME ON	9-6
TAIL/BRAKE LIGHT BULB BURNT OUT	9-6
TURN SIGNAL DOES NOT COME ON	9-6
TURN SIGNAL BLINKS SLOWLY	9-6
TURN SIGNAL REMAINS LIT	9-6
TURN SIGNAL BLINKS QUICKLY	9-6
HORN DOES NOT SOUND	9-6



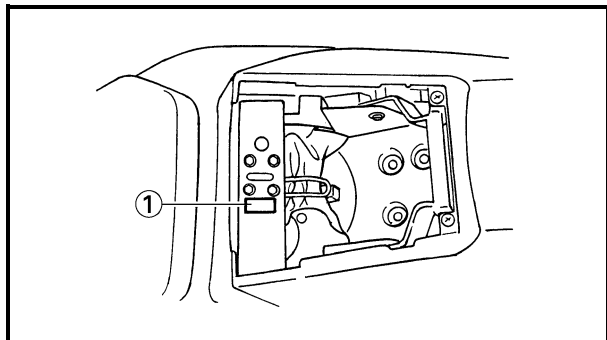
EAS00014

**GENERAL INFORMATION
MOTORCYCLE IDENTIFICATION**

EAS00017

VEHICLE IDENTIFICATION NUMBER

The vehicle identification number ① is stamped into the right side of the steering head pipe.



EAS00018

MODEL LABEL

The model label ① is affixed to the frame. This information will be needed to order spare parts.

FEATURES

OUTLINE OF FI SYSTEM

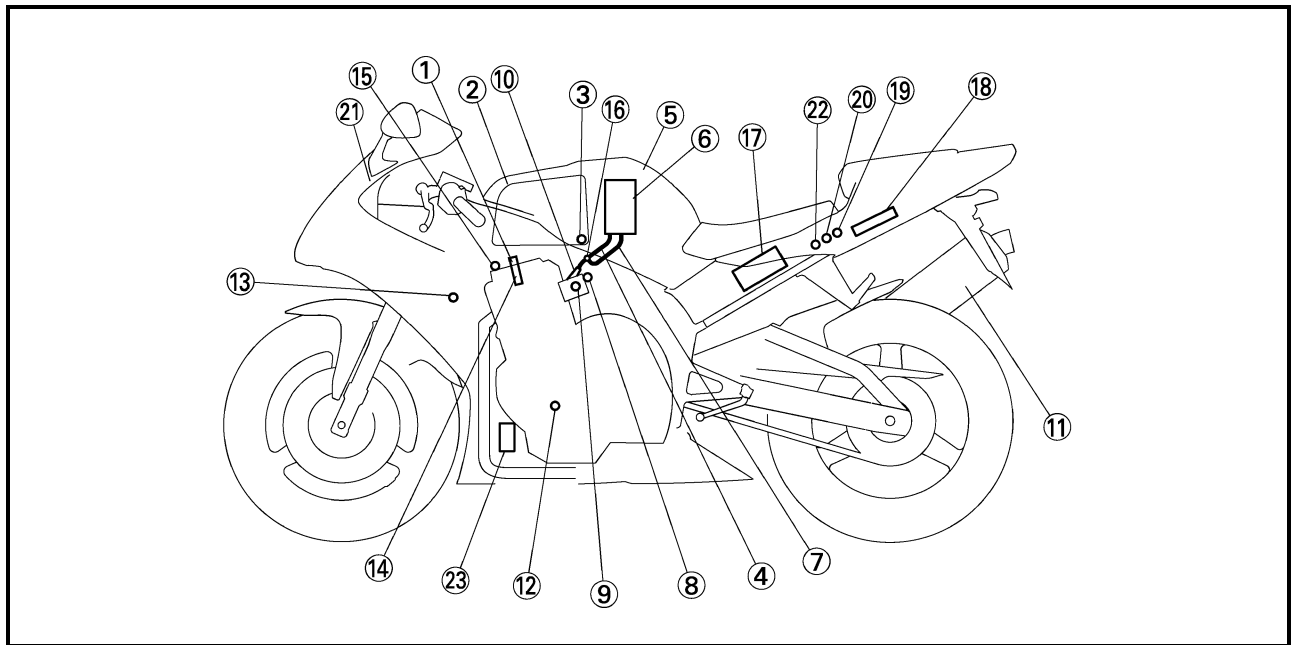
The main function of a fuel supply system is to provide fuel to the combustion chamber at the optimum air-fuel ratio in accordance with the engine operating conditions and the atmospheric temperature.

In the conventional carburetor system, the air-fuel ratio of the mixture that is supplied to the combustion chamber is created by the volume of the intake air and the fuel that is metered by the jet that is used in the respective chamber.

Despite the same volume of intake air, the fuel volume requirement varies by the engine operating conditions, such as acceleration, deceleration, or operating under a heavy load. Carburetors that meter the fuel through the use of jets have been provided with various auxiliary devices, so that an optimum air-fuel ratio can be achieved to accommodate the constant changes in the operating conditions of the engine.

As the requirements for the engine to deliver more performance and cleaner exhaust gases increase, it becomes necessary to control the air-fuel ratio in a more precise and finely tuned manner. To accommodate this need, this model has adopted an electronically controlled fuel injection (FI) system, in place of the conventional carburetor system. This system can achieve an optimum air-fuel ratio required by the engine at all times by using a microprocessor that regulates the fuel injection volume according to the engine operating conditions detected by various sensors.

The adoption of the FI system has resulted in a highly precise fuel supply, improved engine response, better fuel economy, and reduced exhaust emissions. Furthermore, the air induction system (AI system) has been placed under computer control together with the FI system in order to realize cleaner exhaust gases.

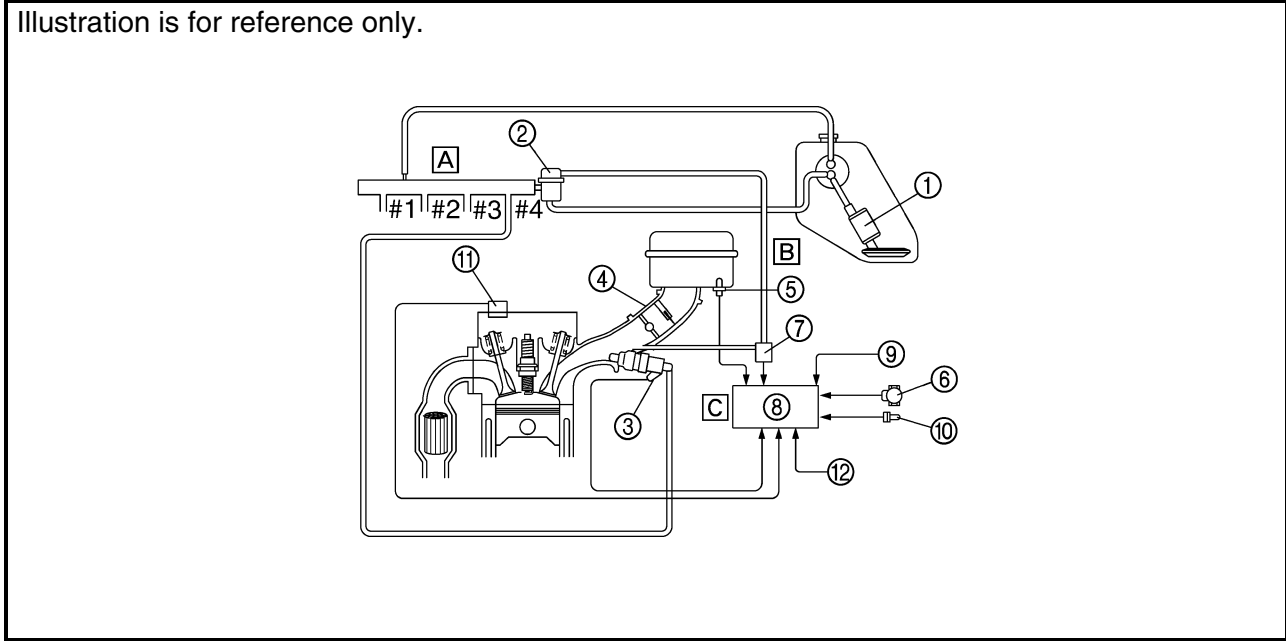


- | | | | |
|-----------------------------|------------------------------|----------------------------------|--------------------------------|
| ① Ignition coil | ⑧ Intake air pressure sensor | ⑭ Spark plug | ⑳ Fuel injection system relay |
| ② Air filter case | ⑨ Throttle position sensor | ⑮ Cylinder identification sensor | ㉑ Engine trouble warning light |
| ③ Intake temperature sensor | ⑩ Fuel injector | ⑯ Pressure regulator | ㉒ Lean angle cut-off switch |
| ④ Fuel delivery hose | ⑪ Catalytic converter | ⑰ Battery | ㉓ Air cut-off valve |
| ⑤ Fuel tank | ⑫ Crankshaft position sensor | ⑱ ECU | |
| ⑥ Fuel pump | ⑬ Coolant temperature sensor | ⑲ Atmospheric pressure sensor | |
| ⑦ Fuel return hose | | | |

FI SYSTEM

The fuel pump delivers fuel to the injector via the fuel filter. The pressure regulator maintains the fuel pressure that is applied to the injector at only 284 kPa (2.84 kg/cm², 40.4 psi) higher than the intake manifold pressure. Accordingly, when the energizing signal from the ECU energizes the injector, the fuel passage opens, causing the fuel to be injected into the intake manifold only during the time the passage remains open. Therefore, the longer the length of time the injector is energized (injection duration), the greater the volume of fuel that is supplied. Conversely, the shorter the length of time the injector is energized (injection duration), the lesser the volume of fuel that is supplied.

The injection duration and the injection timing are controlled by the ECU. Signals that are input from the throttle position sensor, crankshaft position sensor, intake air pressure sensor, atmospheric pressure sensor, intake temperature sensor and coolant temperature sensor enable the ECU to determine the injection duration. The injection timing is determined through the signals from the crankshaft position sensor and the cylinder identification sensor. As a result, the volume of fuel that is required by the engine can be supplied at all times in accordance with the driving conditions.



- ① Fuel pump
- ② Pressure regulator
- ③ Fuel injector
- ④ Throttle body
- ⑤ Intake temperature sensor
- ⑥ Throttle position sensor
- ⑦ Intake air pressure sensor
- ⑧ ECU
- ⑨ Atmospheric pressure sensor
- ⑩ Coolant temperature sensor
- ⑪ Cylinder identification sensor
- ⑫ Crankshaft position sensor
- [A] Fuel system
- [B] Air system
- [C] Control system

Fuel control block

The fuel control block consists of the following main components:

	Component	Function
Control block	ECU	Total FI system control
	Throttle body	Air volume control
	Pressure regulator	Fuel pressure detection
Sensor block	Intake air pressure sensor	Intake air pressure detection
	Atmospheric pressure sensor	Atmospheric pressure detection
	Coolant temperature sensor	Coolant temperature detection
	Intake temperature sensor	Intake temperature detection
	Throttle position sensor	Throttle angle detection
	Cylinder identification sensor	Reference position detection
	Crankshaft position sensor	Crankshaft position detection and engine RPM detection
Actuator block	Speed sensor	Speed detection
	Injector	Fuel injection
	Fuel pump	Fuel feed
	Air Induction system, air cut valve	Induction of secondary air

An engine trouble warning light is provided on meter panel.

COMPONENTS

ECU (Electronic Control Unit)

The ECU is mounted underneath the seat. The main functions of the ECU are ignition control, fuel control, self-diagnosis, and load control.

- ECU's internal construction and functions

The main components and functions of the ECU can be broadly divided into the following four items:

A. Power supply circuit

The power supply circuit obtains power from the battery (12 V) to supply the power (5 V) that is required for operating the ECU.

B. Input interface circuits

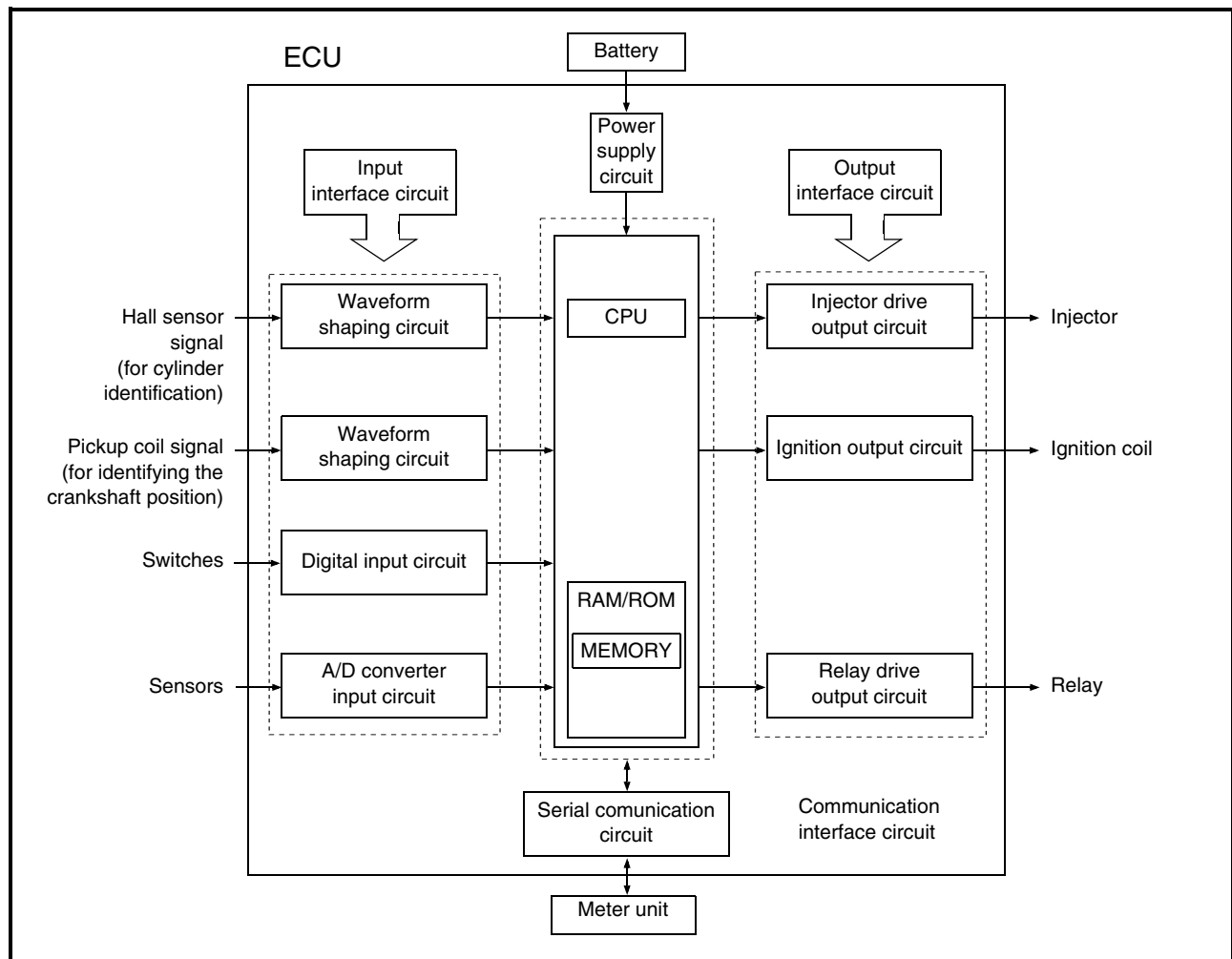
The input interface circuits convert the signals output by all the sensors into digital signals, which can be processed by the CPU, and input them into the CPU.

C. CPU (Central Processing Unit)

The CPU determines the condition of the sensors in accordance with the level of the signal that is output by the respective sensor. Then, the signals are temporarily stored on the RAM in the CPU. Based on those stored signals and the basic processing program on the ROM, the CPU calculates the fuel injection duration, injection timing, and ignition timing, and then sends control commands to the respective output interface circuits.

D. Output interface circuits

The output interface circuits convert the control signals output by the CPU into actuating signals for the respective actuators in order to actuate them. They also output commands to the indicator and relay output circuits as needed.



- Ignition control

The ignition control function of the ECU controls the ignition timing and the duration of ignition energizing. The ignition timing control uses the signals from the throttle position sensor (to detect the angle of the throttle), and the crankshaft position sensor and speed sensor (to detect the speed of the engine). This control establishes an ignition timing that suits the operating condition of the engine through compensations made to the basic ignition timing control map. The ignition energizing duration control establishes the energizing duration to suit the operating conditions by calculating the energizing duration in accordance with the signal received from the crankshaft position sensor and the battery voltage.

- Fuel control

The fuel control function of the ECU controls the injection timing and injection duration. The injection timing control controls the injection timing during the starting of the engine and the injection timing during the normal operation of the engine, based on the signals received from the crankshaft position sensor and the cylinder identification sensor. The injection duration control determines the duration of injection based on the signals received from the atmospheric pressure sensors, temperature sensors, and the position sensors, to which compensations are made to suit various conditions such as the weather, atmospheric pressure, starting, acceleration, and deceleration.

- Load control

The ECU effects load control in the following manner:

1. Stopping the fuel pump and injectors when the motorcycle overturns

The ECU turns OFF the fuel injection system relay when the lean angle cut-off switch is operated.

2. Operating the headlight illumination relay

The ECU controls the headlight relay 2 in accordance with the engine speed as required by the daytime illumination specification.

3. Operating the radiator fan motor in accordance with the coolant temperature

The ECU controls the radiator fan motor relay ON/OFF in accordance with the coolant temperature.

4. Operating the AI system solenoid valve

The ECU controls the energizing of the solenoid valve in accordance with the driving conditions.

- Self-diagnosis function

The ECU is equipped with a self-diagnosis function to ensure that the engine control system is operating normally. The ECU mode functions include a diagnosis mode in addition to the normal mode.

Normal mode

- To check for any blown bulbs, this mode illuminates a engine trouble warning light while the main switch is turned ON, and while the starter switch is being pressed.
- If the starting disable warning is activated, this mode alerts the rider by blinking the engine trouble warning light while the start switch is being pressed.
- If a malfunction occurs in the system, this mode provides an appropriate substitute characteristic operation, and alerts the rider of the malfunction by illuminating an engine trouble warning light. After the engine is stopped, this mode displays a fault code on the clock LCD.

Diagnosis mode

- In this mode, a diagnostic code is input into the ECU through the operation of the operating switch on the meter, and the ECU displays the values output by the sensors or actuates the actuators in accordance with the diagnostic code. Whether the system is operating normally can be checked by observing the illumination of the engine trouble warning light, the values displayed on the meter, or the actuating state of the actuators.



Fuel pump

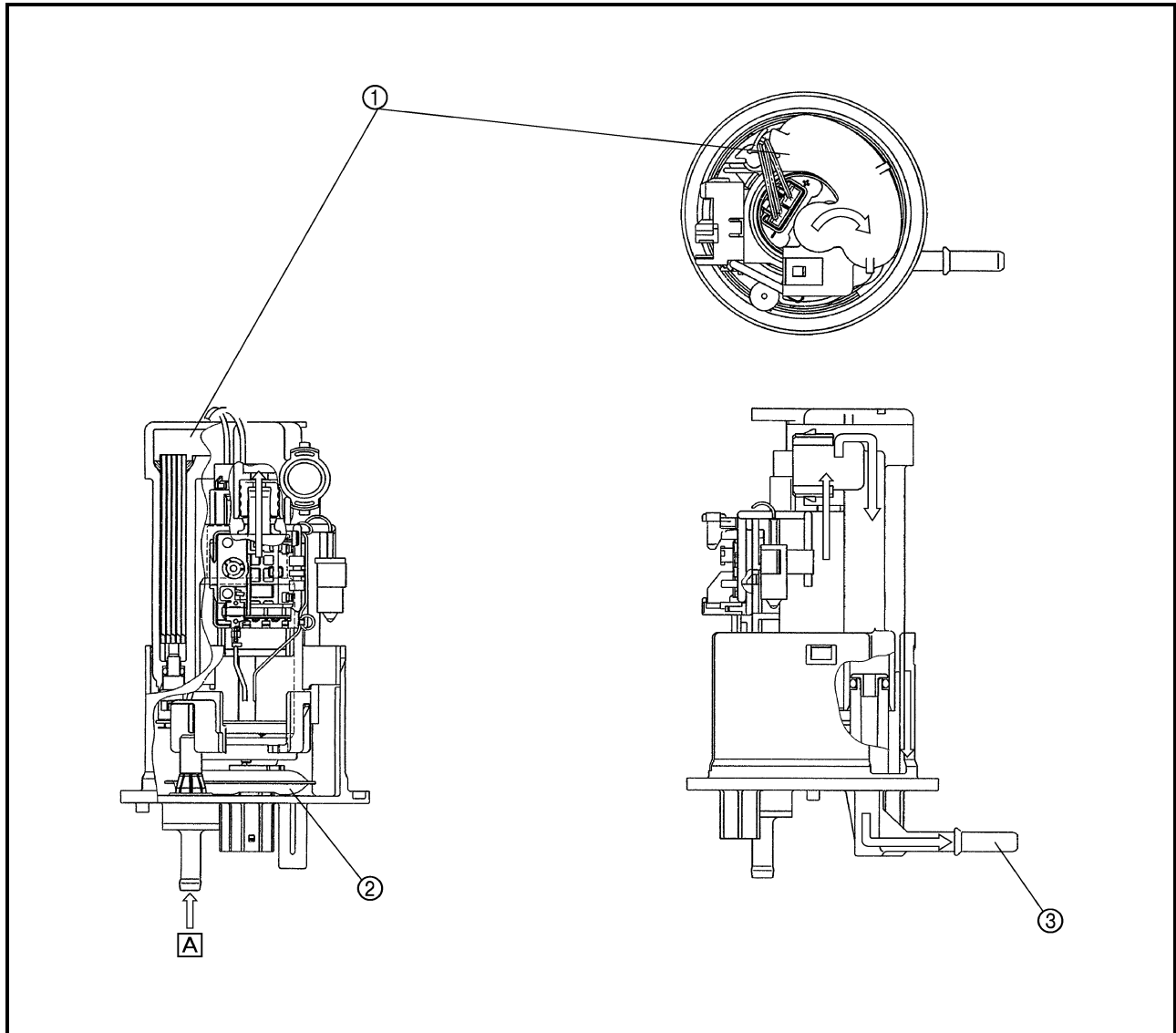
The fuel pump, which is mounted in the fuel tank, draws the fuel directly from the tank and pumps it to the injector.

A filter that is provided in the fuel pump prevents any debris in the fuel tank from entering the fuel system downstream of the pump.

The pump consists of a pump unit, electric motor, filter, and valves.

The pump unit is a Wesco type rotary pump that is connected to the motor shaft.

A relief valve is provided to prevent the fuel pressure from rising abnormally if the fuel hose becomes clogged. This valve opens when the fuel pressure at the discharge outlet reaches between 440 ~ 640 kPa (4.4 ~ 6.4 kg/cm², 62.6 ~ 91.0 psi), and returns the fuel to the fuel tank.



- ① Fuel filter
- ② Fuel inlet strainer
- ③ Outlet
- Ⓐ Fuel

Pressure regulator

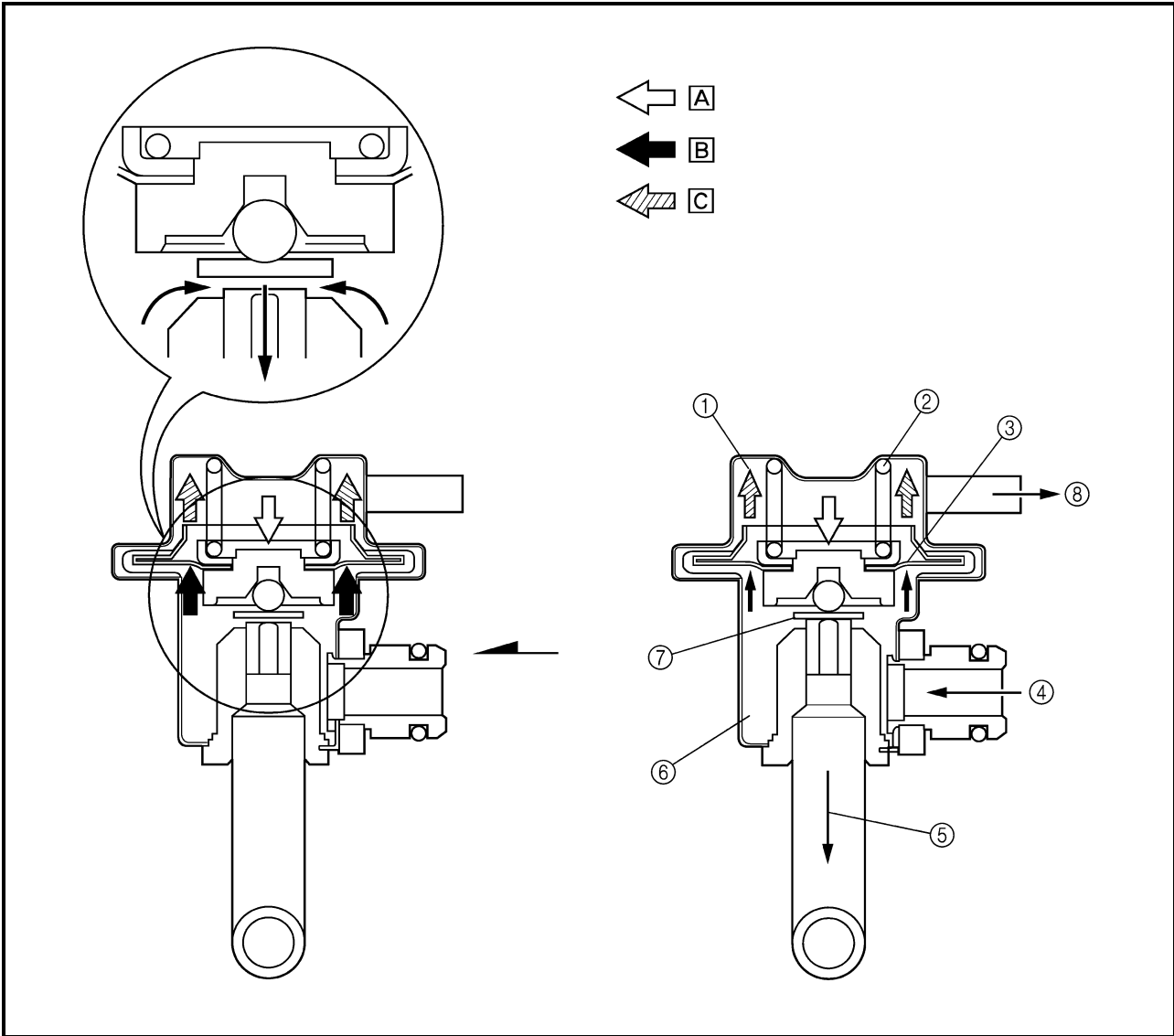
It regulates the fuel pressure that is applied to the injectors that are provided in the cylinders in order to maintain a constant pressure difference with the pressure in the intake manifold.

The fuel that is delivered by the fuel pump fills the fuel chamber through the fuel inlet of the regulator and exerts pressure on the diaphragm in the direction for opening the valve.

A spring that is provided in the spring chamber exerts pressure on the diaphragm in the direction for closing the valve, in contrast to the pressure of the fuel. Thus, the valve cannot open unless the fuel pressure overcomes the spring force.

An intake vacuum is applied to the spring chamber via a pipe. When the pressure of the fuel exceeds the sum of the intake vacuum and the spring force, the valve that is integrated with the diaphragm opens, allowing the fuel to return from the fuel outlet to the fuel tank, via the fuel return hose.

As a result, because the intake vacuum fluctuates in accordance with the changes in the operating conditions in contrast to the constant volume of fuel supplied by the pump, the valve opening/closing pressure also changes to regulate the return fuel volume. Thus, the difference between the fuel pressure and the intake manifold pressure remains constant at a prescribed pressure.



- ① Spring chamber
- ② Spring
- ③ Diaphragm

- ④ Fuel inlet
- ⑤ Fuel return
- ⑥ Fuel chamber

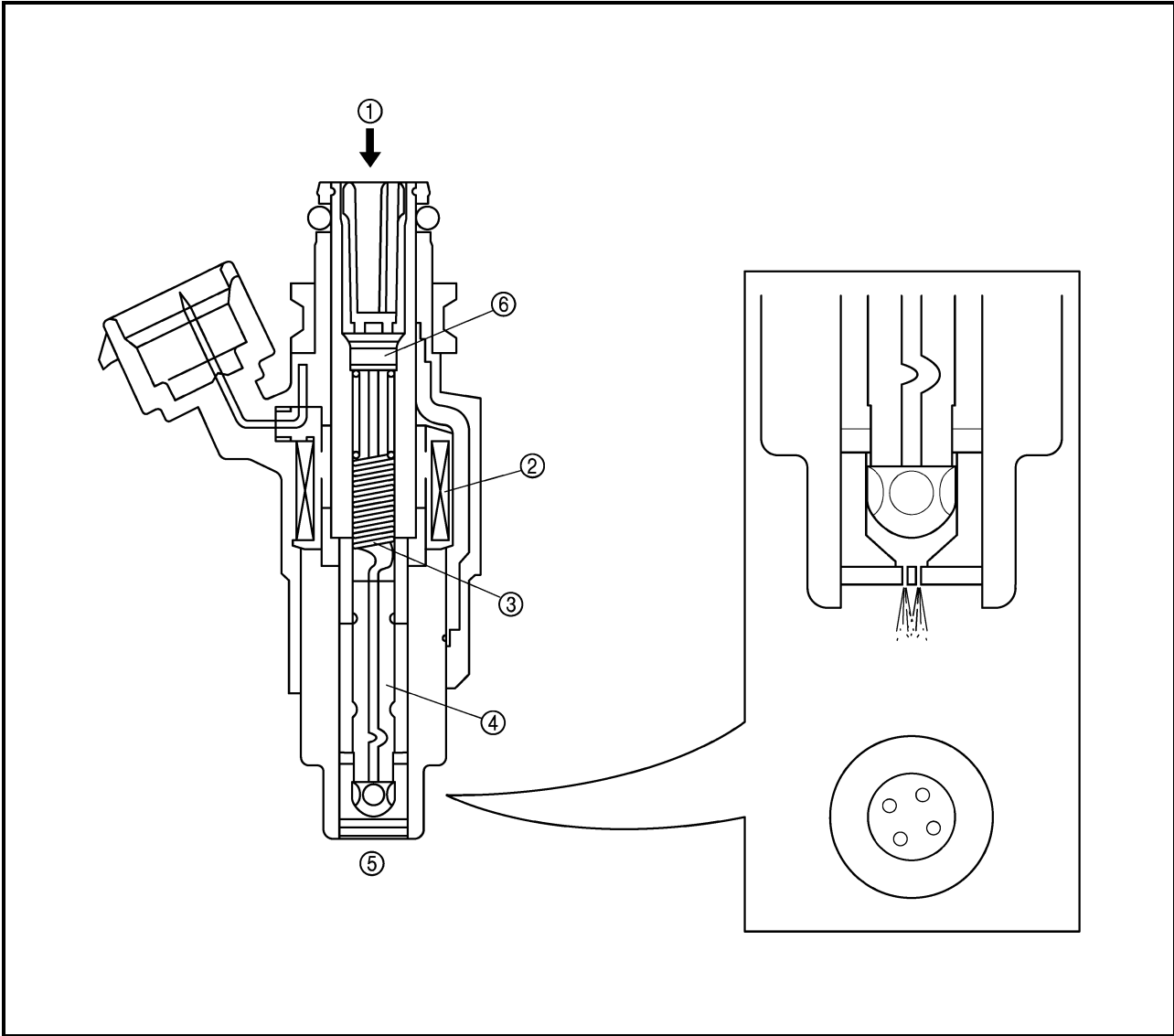
- ⑦ Valve
- ⑧ Intake manifold vacuum pressure

- Ⓐ Spring pressure
- Ⓑ Fuel pressure
- Ⓒ Vacuum pressure

Fuel injector

Upon receiving injection signals from the ECU, the fuel injector injects fuel. In the normal state, the core is pressed downward by the force of the spring, as illustrated. The plunger that is integrated with the bottom of the core keeps the fuel passage closed.

When the current flows to the coil in accordance with the signal from the ECU, the core is drawn upward, allowing the flange that is integrated with the plunger to move to the spacer. Since the distance of the movement of the needle is thus kept constant, the opening area of the fuel passage also becomes constant. Because the pressure difference of the fuel to the intake manifold pressure is kept constant by the pressure regulator, the fuel volume varies in proportion to the length of time the coil is energized. The injector that has been recently adopted has a four-hole type injection orifice that enhances the atomization of fuel and improves combustion efficiency.

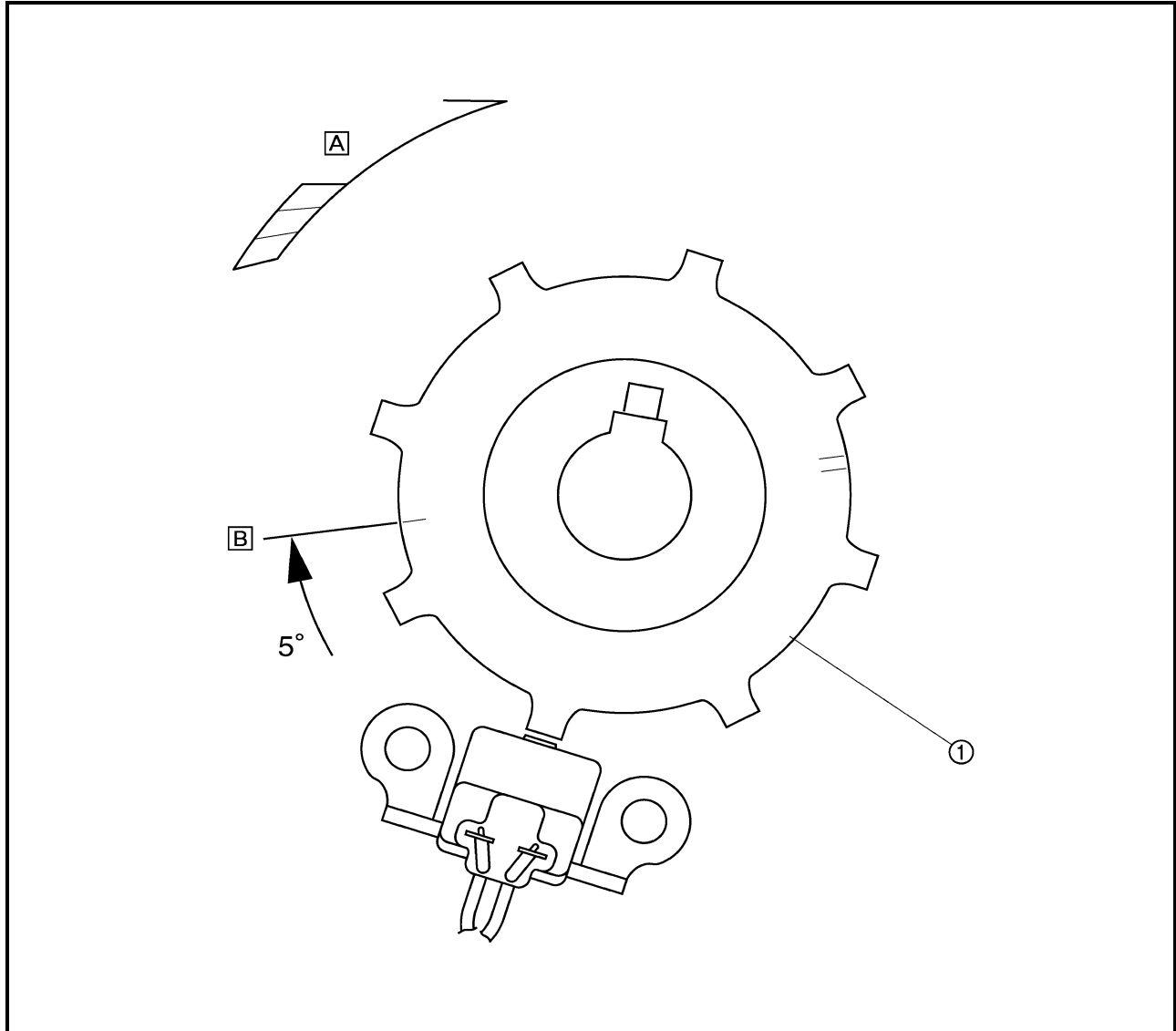


- ① Fuel
- ② Coil
- ③ Core
- ④ Plunger
- ⑤ Inject
- ⑥ Flange



Crankshaft position sensor

The crankshaft position sensor uses the signals of the pickup coil that is mounted on the right side of the crankshaft. When the rotation of the pickup rotor that is attached to the crankshaft causes the projections on the rotor to pass by the pickup coil, an electromotive force is generated in the coil. The voltage of this force is then input into the ECU, which calculates the position of the crankshaft and the speed of the engine. The ignition timing is then determined in accordance with the calculated data, in order to determine the corresponding injection timing. Based on the changes in the time intervals of the signals generated by the pickup coil, the ECU calculates the ignition timing advance to suit the operating conditions. The injection timing is also advanced in accordance with the ignition timing in order to supply fuel to the engine at an optimal timing.

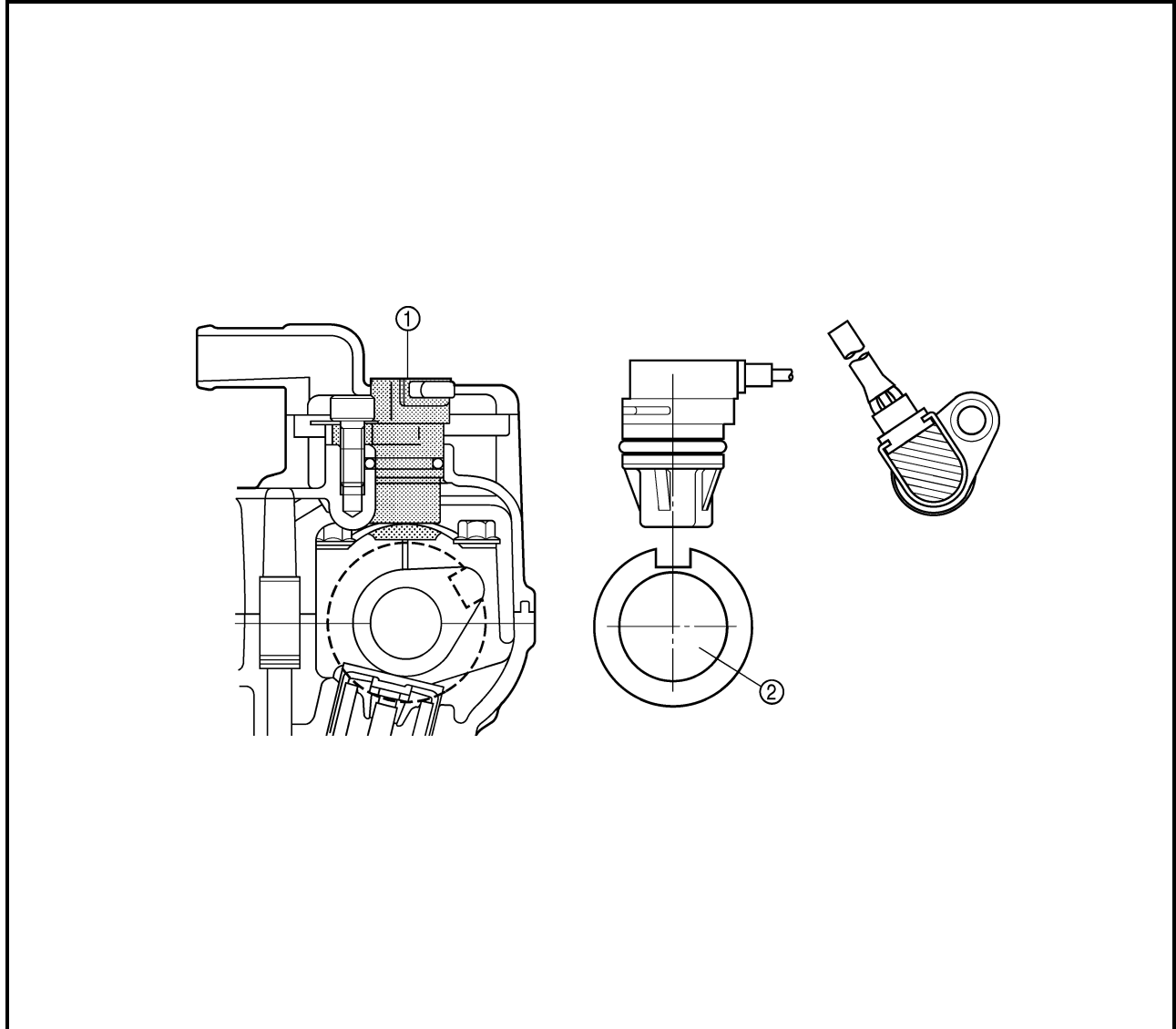


- ① Pickup rotor
- A Direction of rotation
- B #1 cylinder compression stroke, 5° BTDC



Cylinder identification sensor

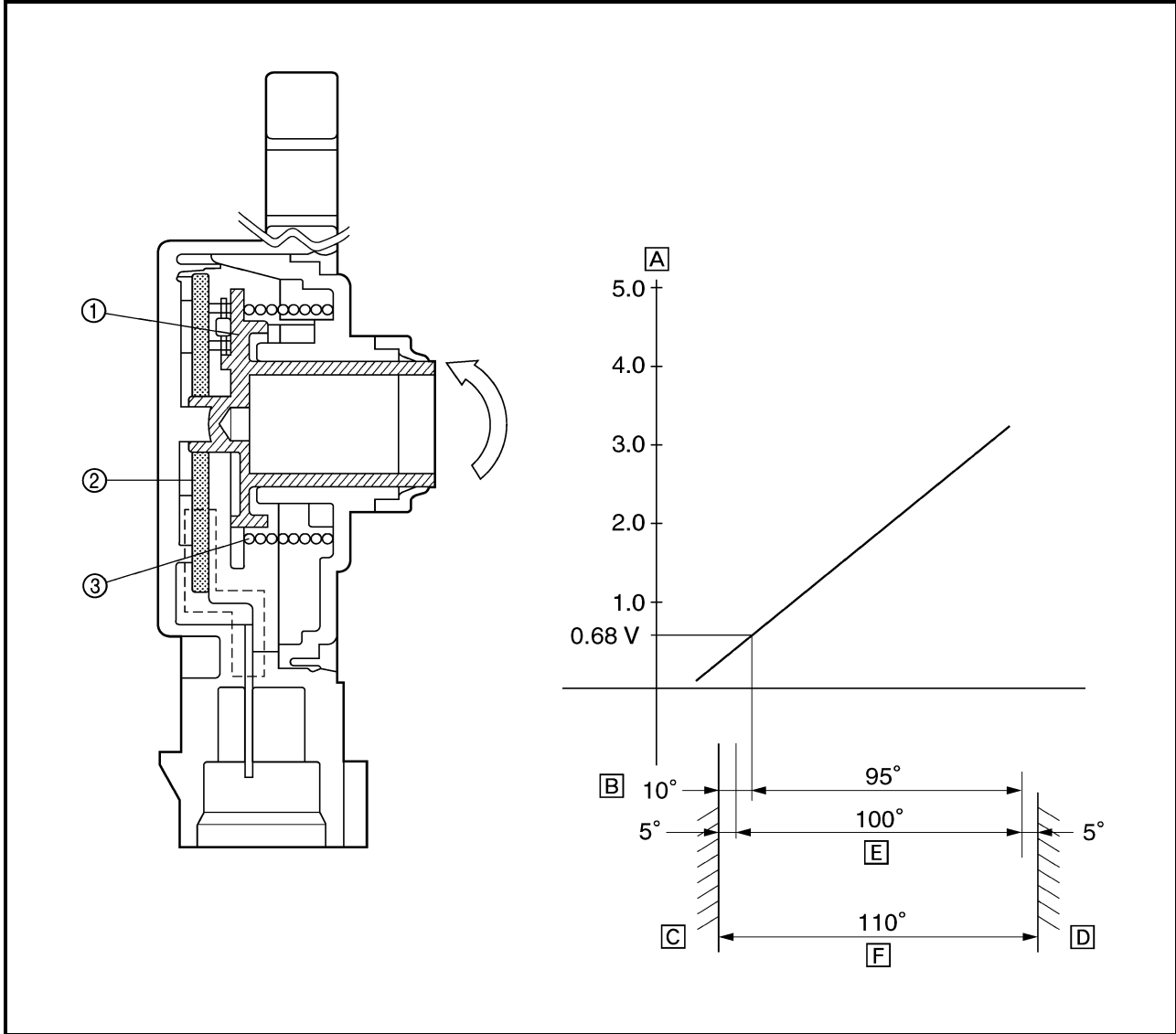
The cylinder identification sensor is mounted on the middle of exhaust side head cover. When the exhaust camshaft rotates, the sensor generates a signal and sends it to the ECU. Based on this signal and the signal from the crankshaft position sensor, the ECU then actuates the injector of the cylinder that is currently in order to supply fuel.



- ① Cylinder identification sensor
- ② Camshaft

Throttle position sensor

The throttle position sensor measures the intake air volume by detecting the position of the throttle valve. It detects the mechanical angle of the throttle valve through the positional relationship between the moving contact that moves in unison with the throttle shaft and the resistor board. In actual operation, the ECU supplies 5 V power to both ends of the resistor board and the voltage that is output by the throttle position sensor is used to determine the angle of the throttle valve.



- ① Moving contact
- ② Resistor board
- ③ Spring

- Ⓐ Output voltage
- Ⓑ Idling output position
- Ⓒ Mechanical stopper
- Ⓓ Mechanical stopper
- Ⓔ Effective electrical angle
- Ⓕ Sensor operating angle

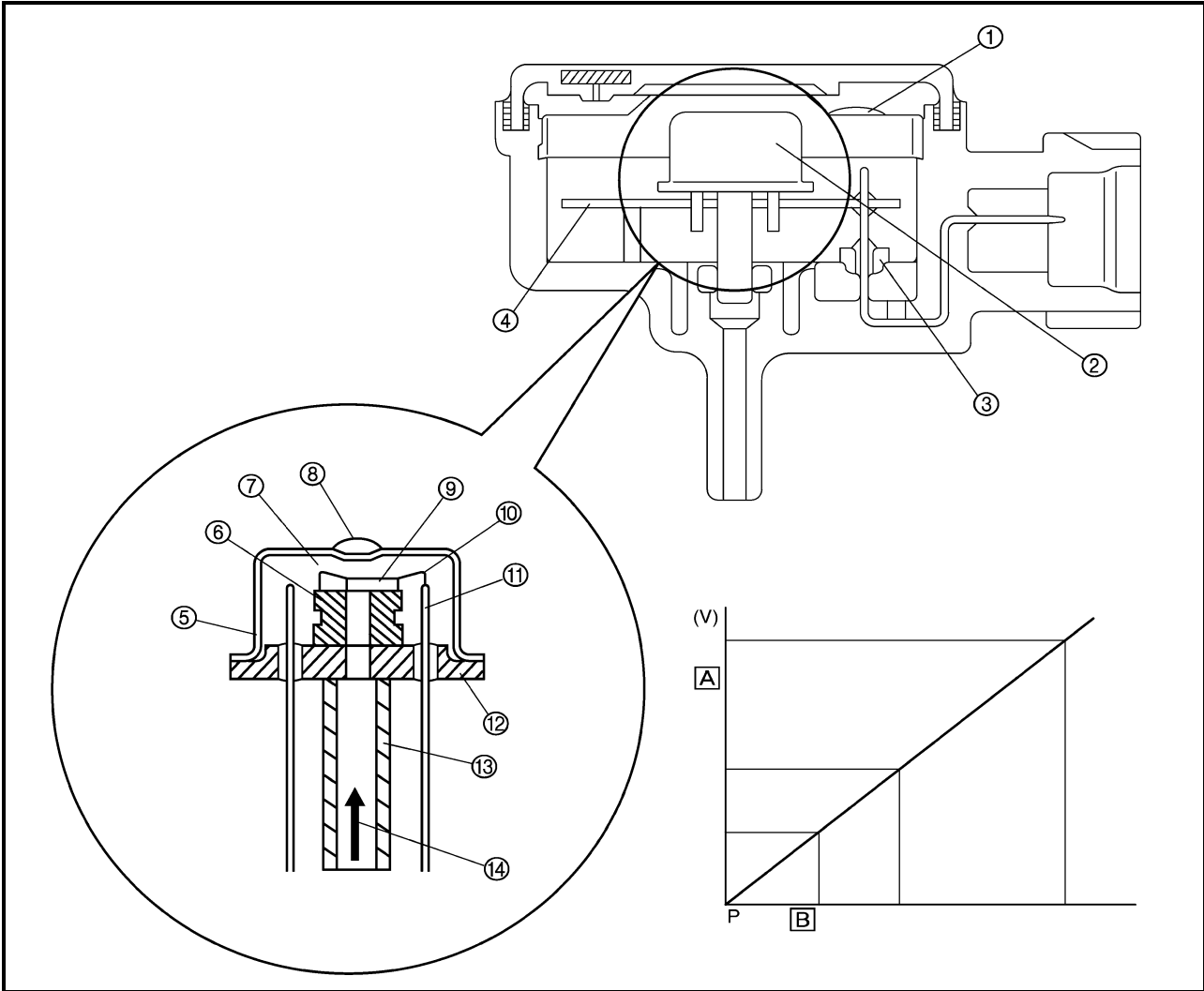
Intake air pressure sensor and atmospheric pressure sensor

• Intake air pressure sensor

The intake air pressure sensor is used for measuring the intake air volume. The intake air volume of every intake stroke is proportionate to the intake air pressure. Therefore, the intake air volume can be measured by measuring the intake air pressure. The intake air pressure sensor converts the measured intake air pressure into electrical signals and sends those signals to the ECU. When the intake air pressure is introduced into the sensor unit, which contains a vacuum chamber on one side of the silicon diaphragm, the silicon chip that is mounted on the silicon diaphragm converts the intake air pressure into electrical signals. Then, an integrated circuit (IC) amplifies and adjusts the signals and makes temperature compensations, in order to generate electrical signals that are proportionate to the pressure.

• Atmospheric pressure sensor

The atmospheric pressure sensor is used for making compensations to the changes in the air density caused by the changes in the atmospheric pressure (particularly at high altitudes). The operating principle and function of the atmospheric pressure sensor are the same as those of the aforementioned intake air pressure sensor.

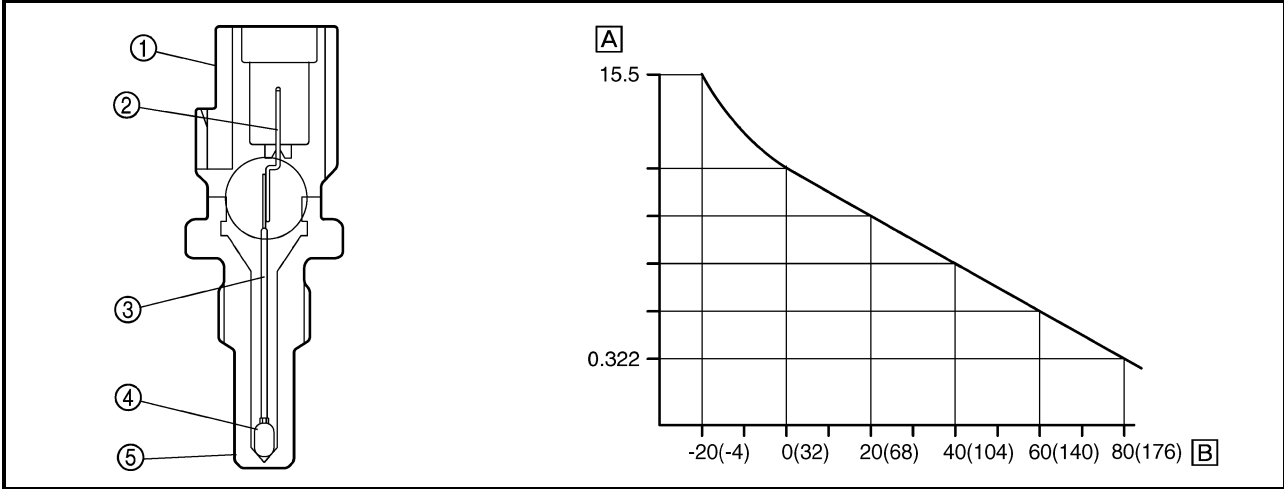


- | | | | |
|---------------------|---------------------|---|------------------|
| ① EMI shield | ⑥ Silicon diaphragm | ⑪ Lead pin | Ⓐ Output voltage |
| ② Sensor unit | ⑦ Vacuum chamber | ⑫ Stem | Ⓑ Input pressure |
| ③ Through condenser | ⑧ Solder | ⑬ Pressure induction pipe | |
| ④ Hybrid IC | ⑨ Silicon chip | ⑭ Atmospheric pressure, intake air pressure | |
| ⑤ Cap | ⑩ Gold wire | | |

Coolant temperature sensor

The signals from the coolant temperature sensor are used primarily for making fuel volume compensations during starting and warm-up. The coolant temperature sensor converts the temperature of the coolant into electrical signals and sends them to the ECU.

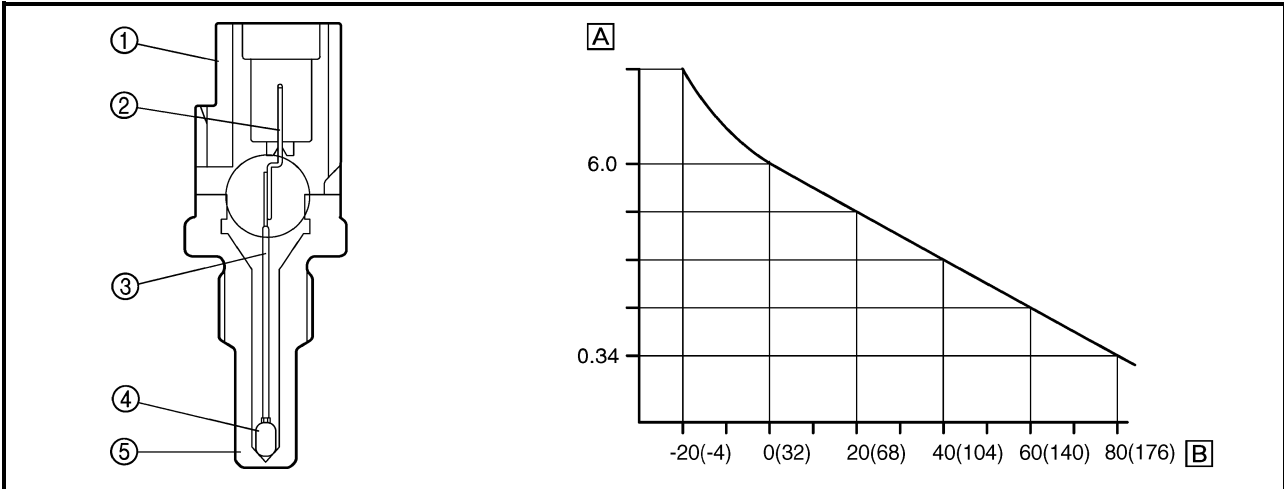
This sensor uses a semi-conductor thermistor that has a large resistance at low temperatures and a small resistance at high temperatures. The thermistor converts the temperature-dependent changes in resistance into electrical resistance values, which are then input into the ECU.



- ① Connector ③ Tube ⑤ Holder [A] Resistance kΩ
- ② Terminal ④ Thermistor [B] Temperature °C (°F)

Intake temperature sensor

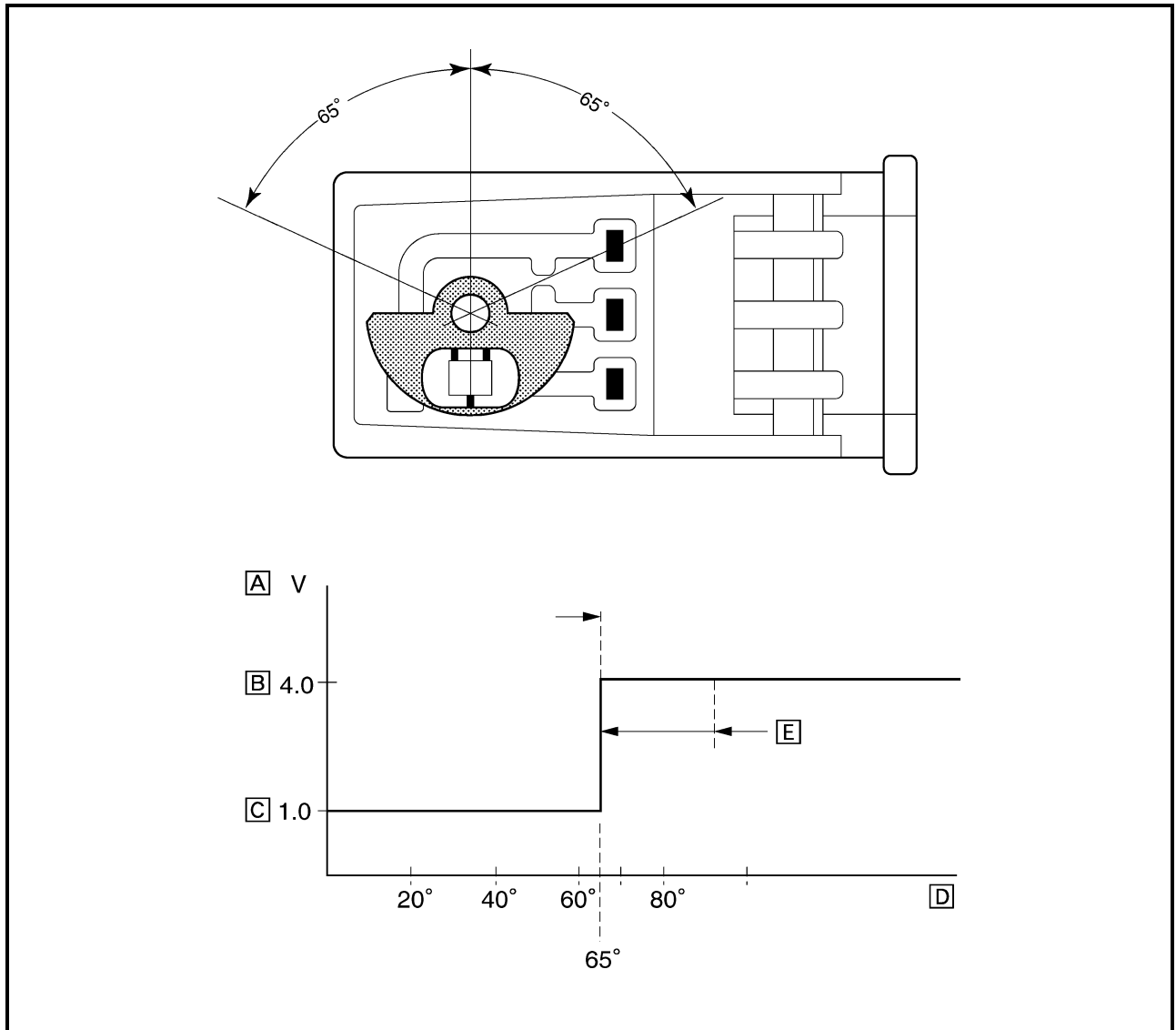
The intake temperature sensor corrects the deviation of the air-fuel mixture that is associated with the changes in the intake air density, which are created by the changes in the intake air temperature that occur due to atmospheric temperatures. This sensor uses a semi-conductor thermistor that has a large resistance at low temperatures and a small resistance at high temperatures. The thermistor converts the temperature-dependent changes in resistance into electrical resistance values, which are then input into the ECU.



- ① Connector ⑤ Holder
- ② Terminal
- ③ Tube [A] Resistance kΩ
- ④ Thermistor [B] Temperature °C (°F)

Lean angle cut-off switch

The lean angle cut-off switch stops the supply of fuel to the engine in case the motorcycle overturns. When the motorcycle is in the normal state, the cut-off switch outputs a constant voltage of approximately 1.0 V (low level). When the motorcycle tilts, the float in the switch tilts in proportion to the tilt of the motorcycle. However, the voltage output to the ECU remains unchanged at the low level. When the tilt of the motorcycle exceeds 65 degrees (according to the tilt of the float), the signal from the sensor increases to approximately 4.0 V (high level). When the ECU receives the high-level voltage, it determines that the motorcycle has overturned, and stops the delivery of fuel to the engine by turning OFF the fuel injection system relay that powers the fuel pump and the injectors. Once the cut-off switch is tripped, the ECU maintains this state; therefore, even if the motorcycle has recovered its upright position, this state will not be canceled unless the main switch is turned OFF, and then turned back ON.



- [A] Output voltage
- [B] High level
- [C] Low level
- [D] Cut-off switch tilt angle
- [E] Fuel injection system relay OFF

FUEL INJECTION SYSTEM

Operation and control

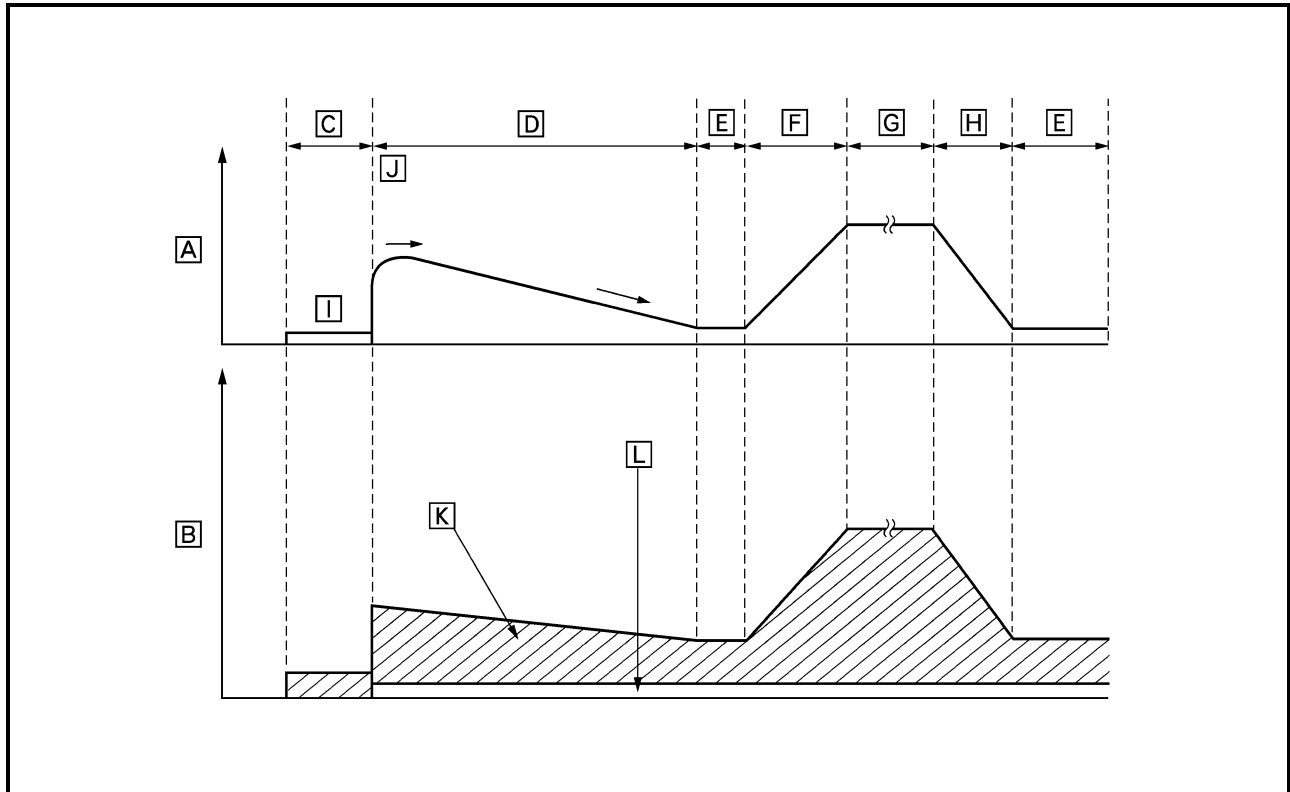
The fuel injection timing, injection duration, ignition timing, and the coil energizing duration are controlled by the ECU. To determine the basic injection timing, the ECU calculates the intake air volume through the signals from the intake air pressure sensor, throttle position sensor, cylinder identification sensor, and crankshaft position sensor.

Furthermore, the ECU calculates the final injection timing by adding the following compensations to the aforementioned basic injection duration: those obtained from the state of acceleration, as well as those based on the signals from various sensors such as the coolant temperature, intake temperature and atmospheric. At the same time, the ECU assesses the crankshaft position through the signals from the cylinder identification sensor and the crankshaft position sensor. Then, when the ECU determines that it is time to inject fuel, it sends an injection command to the injectors. Furthermore, the ECU also controls the length of time the coil is energized by calculating the ignition timing and the coil energizing duration based on the signals from these sensors.

Determining the basic injection duration

The intake air volume determines the basic injection duration. In order to operate the engine in an optional condition, it is necessary to supply fuel at an air-fuel ratio that corresponds appropriately to the volume of intake air that is constantly changing, and to ignite it an appropriate timing. The ECU controls the basic injection duration based on the intake air volume and engine speed data.

Composition of basic injection duration



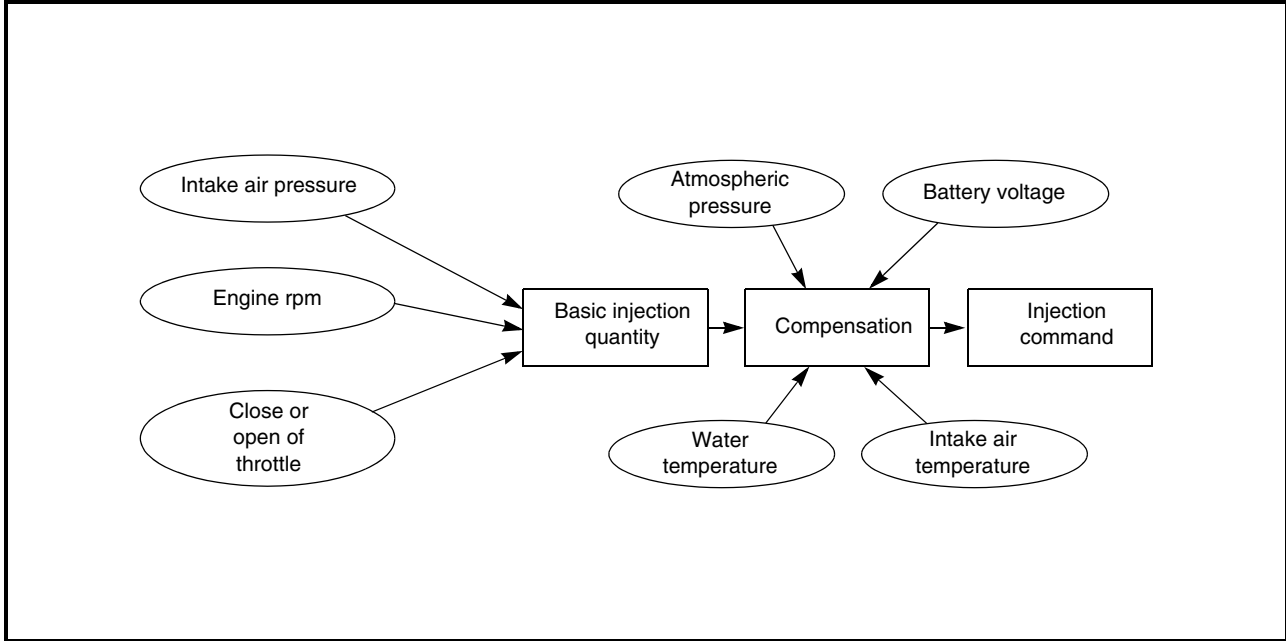
- | | | | |
|------------------------|------------------|------------------|-----------------------------------|
| [A] RPM | [D] Warm-up | [G] Constant | [J] After start |
| [B] Injection duration | [E] Idle | [H] Deceleration | [K] Basic injection duration |
| [C] Cranking | [F] Acceleration | [I] Start | [L] Voltage compensation duration |

Detection of intake air volume

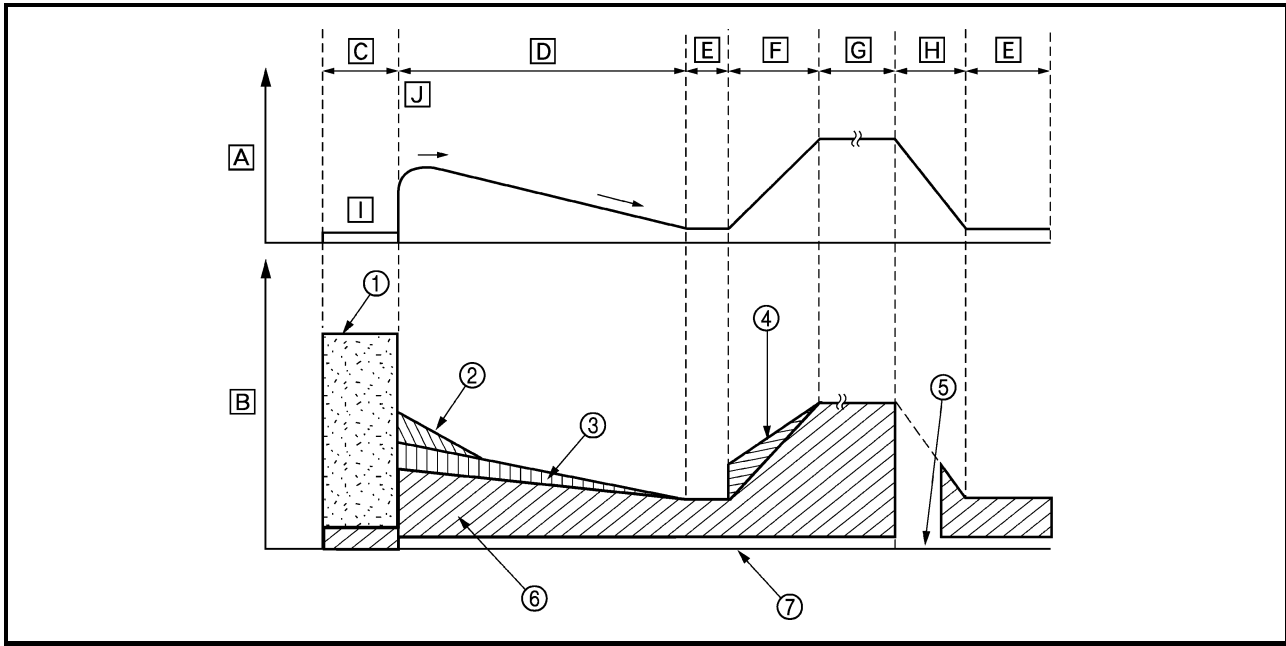
The intake air volume is detected primarily through the signals from the throttle position sensor and the intake air pressure sensor. The intake air volume is determined in accordance with the signals from the atmospheric pressure sensor, intake temperature sensor, and the engine speed data.

Determining the final injection duration

The intake air volume determines the basic injection duration. However, at a given intake air volume, the volume of fuel that is required varies by the engine operating conditions such as acceleration or deceleration, or by weather conditions. This system uses various sensors to precisely check these conditions, applies compensations to the basic injection duration, and determines the final injection duration based on the operating condition of the engine.



Composition of final injection duration



- ① Injection at start *1
- ② After-start enrichment *2
- ③ Warm-up enrichment *3
- ④ Acceleration compensation *5
- ⑤ Fuel cut-off
Deceleration compensation *5
- ⑥ Basic injection duration
- ⑦ Voltage compensation duration
- [A] RPM
- [B] Injection duration
- [C] Cranking
- [D] Warm-up
- [E] Idle
- [F] Acceleration
- [G] Constant
- [H] Deceleration
- [I] Start
- [J] After start

Reactive injection duration:

A lag is created between the time the ECU outputs a fuel injection signal to the injector and the time the injector actually opens. Therefore, the ECU calculates this lag in advance before sending the actuation signal to the injector. The battery voltage determines the reactive injection duration.

- High voltage → short reactive injection duration
- Low voltage → long reactive injection duration

LIST OF FUEL INJECTION COMPENSATIONS

Compensation item	Check item	Sensor used
Starting injection *1	Coolant temperature	Coolant temperature sensor
After-start injection:		
After-start enrichment *2	Coolant temperature	Coolant temperature sensor
Warm-up enrichment *3	Coolant temperature	Coolant temperature sensor
Intake temperature compensation *4	Intake temperature	Intake temperature sensor
Acceleration compensation/deceleration compensation *5	Intake air pressure	Intake air pressure sensor
	Throttle position	Throttle position sensor
	Coolant temperature	Coolant temperature sensor

- Over-revving control

This function effects fuel cut-off control when the engine speed becomes greater than the prescribed value. The fuel cut-off control regulates the engine speed by stopping the injection of fuel into two cylinders when the engine speed becomes greater than the specified value. If the engine speed increases further, this control stops the injection of fuel to all the cylinders. Thus, the over-revving control effects fuel cut-off control in two stages.

THREE-WAY CATALYTIC CONVERTER SYSTEM

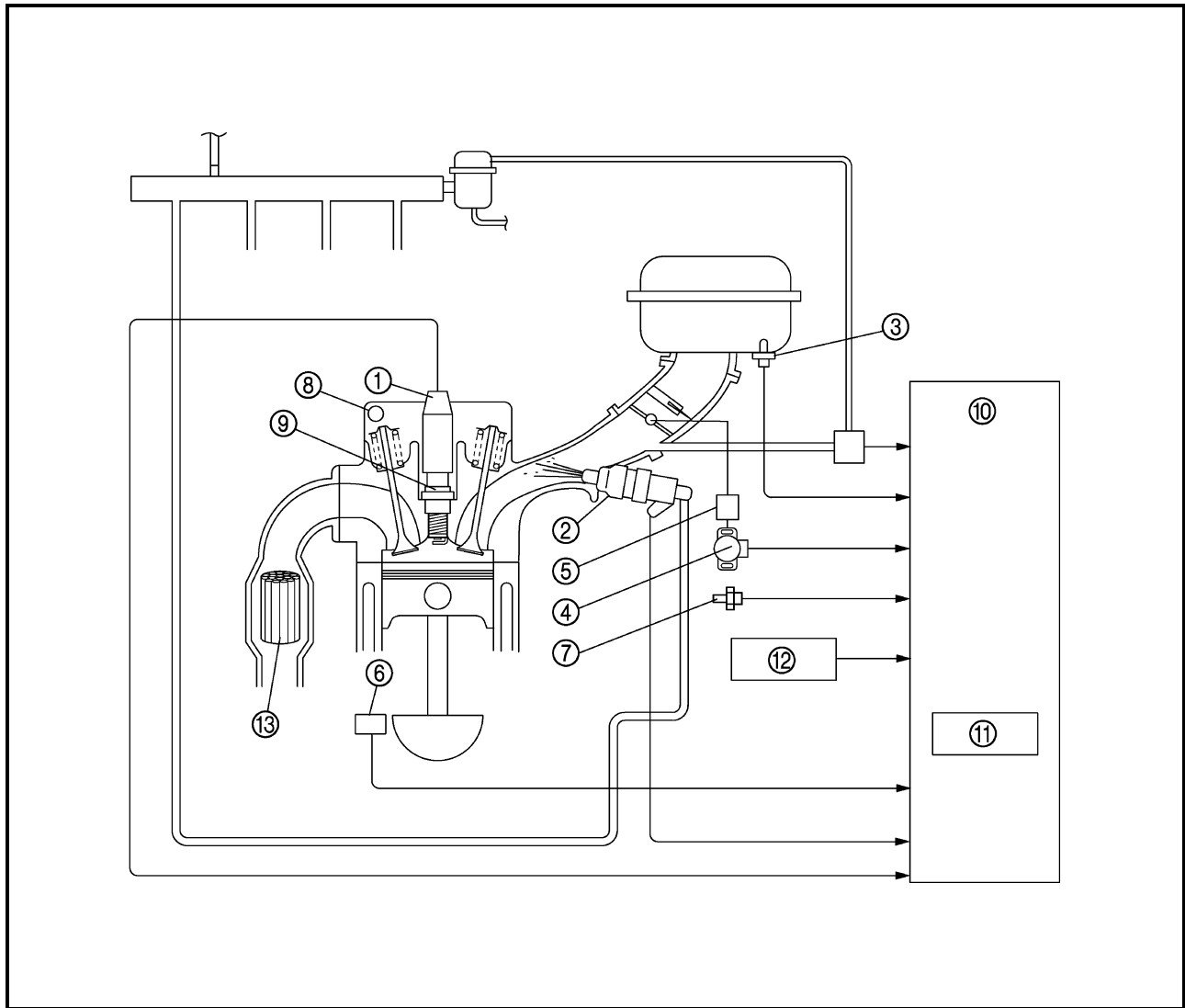
System outline

This is a highly efficient exhaust gas cleaning system that effects air-fuel control through a joint effort by the FI system and the three-way catalytic converter system. By effecting comprehensive control of the air-fuel ratio in this manner, this system reduces the CO, HC, and NOx in the exhaust gases.

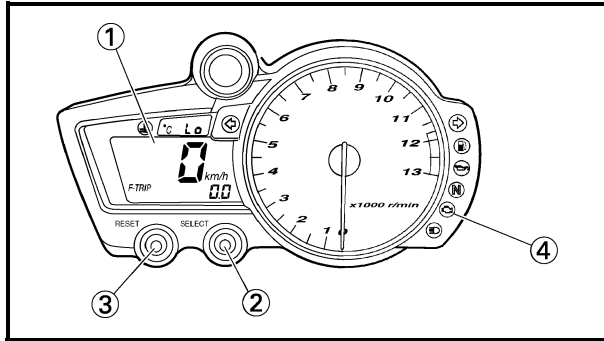
The FI system controls the mixture to an optimal air-fuel ratio (basic air-fuel ratio) that matches the operating condition of the engine in order to realize an ideal combustion.

Through the joint effort of these control systems, the exhaust gas is cleaned in a highly efficient manner without sacrificing engine performance.

Three-way catalytic converter system diagram



- | | | | |
|-----------------------------|------------------------------|----------------------------------|-------------------------------|
| ① Ignition coil | ⑤ Intake air pressure sensor | ⑧ Cylinder identification sensor | ⑫ Atmospheric pressure sensor |
| ② Injector | ⑥ Crankshaft position sensor | ⑨ Spark plug | ⑬ Catalytic converter |
| ③ Intake temperature sensor | ⑦ Coolant temperature sensor | ⑩ ECU | |
| ④ Throttle position sensor | | ⑪ Igniter | |



- ① Multi-function display
- ② “SELECT” button
- ③ “RESET” button
- ④ Engine trouble warning light

INSTRUMENT FUNCTION

Multi-function display

The multi-function display is equipped with the following:

- a speedometer (which shows the riding speed)
- an odometer (which shows the total distance traveled)
- two tripmeters (which show the distance traveled since they were last set to zero)
- a fuel reserve tripmeter (which shows the distance traveled since the fuel level warning light came on)
- a clock
- a self-diagnosis device
- a display brightness and engine speed warning light control mode

NOTE:

- Be sure to turn the key to “ON” before using the “SELECT” and “RESET” buttons.
- For the U.K. only: To switch the speedometer display between kilometers and miles, press the “SELECT” button and “RESET” button together for at least two seconds.

Odometer and tripmeter modes

Pushing the “SELECT” button switches the display between the odometer mode “ODO” and the tripmeter modes “TRIP A” and “TRIP B” in the following order:

ODO → TRIP A → TRIP B → ODO

If the fuel level warning light comes on, the odometer display will automatically change to the fuel reserve tripmeter mode “F-TRIP” and start counting the distance traveled from that point. In that case, pushing the “SELECT” button switches the display between the various tripmeter and odometer modes in the following order:

F-TRIP → TRIP A → TRIP B → ODO → F-TRIP

To reset a tripmeter, select it by pushing the “SELECT” button, and then push the “RESET” button for at least one second. If you do not reset the fuel reserve tripmeter manually, it will reset itself automatically and the display will return to the prior mode after refueling and traveling 5 km.

Clock mode

Turn the key to “ON”.

To change the display to the clock mode, push the “SELECT” button for at least one second.

To change the display back to the prior mode, push the “SELECT” button.

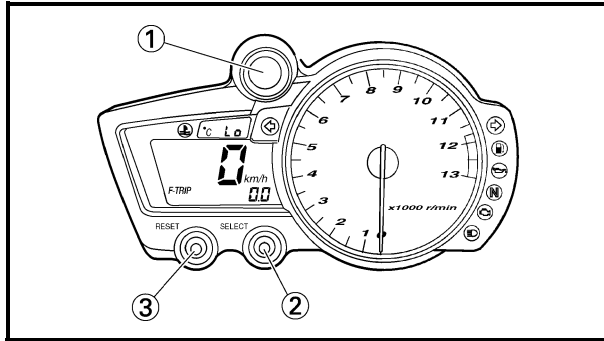
To set the clock:

1. Push the “SELECT” button and “RESET” button together for at least two seconds.
2. When the hour digits start flashing, push the “RESET” button to set the hours.
3. Push the “SELECT” button, and the minute digits will start flashing.
4. Push the “RESET” button to set the minutes.
5. Push the “SELECT” button and then release it to start the clock.

Self-diagnosis device

This model is equipped with a self-diagnosis device for various electrical circuits.

If any of those circuits are defective, the engine trouble warning light will come on and then, the multi-function display will indicate a two-digit error code (e.g., 11, 12, 13).



- ① Engine speed indicator light
- ② “SELECT” button
- ③ “RESET” button

Display brightness and engine speed indicator light control mode

This mode cycles through five control functions, allowing you to make the following settings in the order listed below.

1. Display brightness: This function allows you to adjust the brightness of the multi-function display to suit the outside lighting conditions.
2. Engine speed indicator light activity: This function allows you to choose whether or not the indicator light should be activated and whether it should blink or stay on when activated.
3. Engine speed indicator light activation: This function allows you to select the engine speed at which the indicator light will be activated.
4. Engine speed indicator light deactivation: This function allows you to select the engine speed at which the indicator light will be deactivated.
5. Engine speed indicator light brightness: This function allows you to adjust the brightness of the indicator light to suit your preference.

NOTE:

- To make any settings in this mode, you have to cycle through all of its functions. However, if the key is turned to “OFF” before completing the procedure, only the settings made before the “SELECT” button was last pushed will be applied.
- In this mode, the multi-function display shows the current setting for each function (except the engine speed indicator light activity function).

To adjust the display brightness

1. Turn the key to “OFF”.
2. Push and hold the “SELECT” button.
3. Turn the key to “ON”, and then, after five seconds, release the “SELECT” button.
4. Push the “RESET” button to select the desired display brightness level.
5. Push the “SELECT” button to confirm the selected display brightness level. The control mode changes to the engine speed indicator light activity function.

To set the engine speed indicator light activity function

1. Push the “RESET” button to select one of the following indicator light activity settings:
 - a. The indicator light will stay on when activated. (This setting is selected when the indicator light stays on.)
 - b. The indicator light will flash when activated. (This setting is selected when the indicator light flashes four times per second.)
 - c. The indicator light is deactivated; in other words, it will not come on or flash. (This setting is selected when the indicator light flashes once every two seconds.)
2. Push the “SELECT” button to confirm the selected indicator light activity. The control mode changes to the engine speed indicator light activation function.

To set the engine speed indicator light activation function

NOTE: _____

The indicator light activation function can be set between 7,000 and 12,000 r/min in increments of 500 r/min.

1. Push the “RESET” button to select the desired engine speed for activating the indicator light.
2. Push the “SELECT” button to confirm the selected engine speed.
The control mode changes to the engine speed indicator light deactivation function.

To set the engine speed indicator light deactivation function

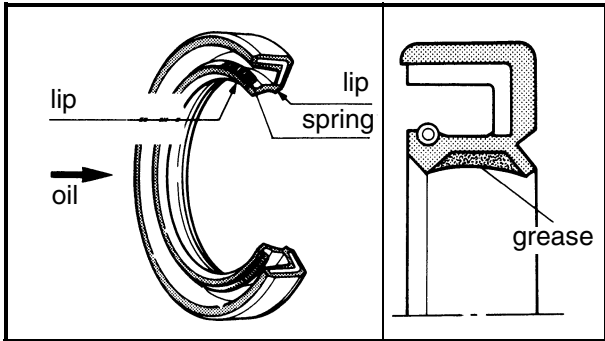
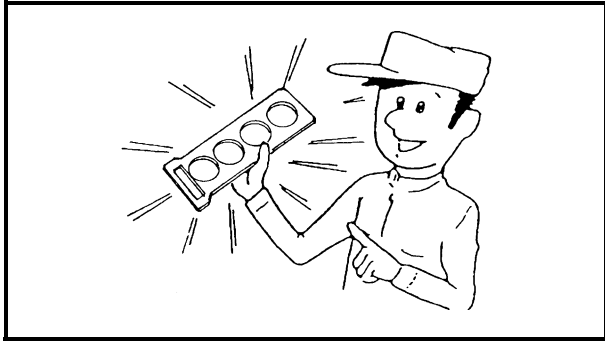
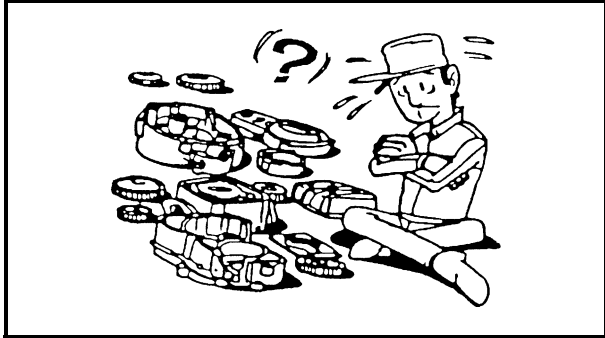
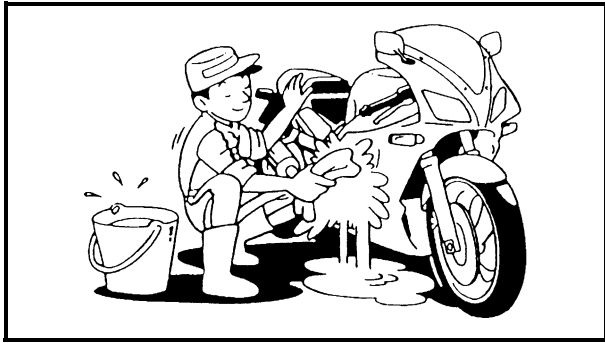
NOTE: _____

- The indicator light deactivation function can be set between 7,000 and 12,000 r/min in increments of 500 r/min.
 - Be sure to set the deactivation function to a higher engine speed than for the activation function, otherwise the engine speed indicator light will remain deactivated.
-

1. Push the “RESET” button to select the desired engine speed for deactivating the indicator light.
2. Push the “SELECT” button to confirm the selected engine speed.
The control mode changes to the engine speed indicator light brightness function.

To adjust the engine speed indicator light brightness

1. Push the “RESET” button to select the desired indicator light brightness level.
2. Push the “SELECT” button to confirm the selected indicator light brightness level. The multi-function display will return to the odometer, tripmeter or clock mode.



EAS00020

**IMPORTANT INFORMATION
PREPARATION FOR REMOVAL AND
DISASSEMBLY**

1. Before removal and disassembly, remove all dirt, mud, dust and foreign material.
2. Use only the proper tools and cleaning equipment.
Refer to the "SPECIAL TOOLS".
3. When disassembling, always keep mated parts together. This includes gears, cylinders, pistons and other parts that have been "mated" through normal wear. Mated parts must always be reused or replaced as an assembly.
4. During disassembly, clean all of the parts and place them in trays in the order of disassembly. This will speed up assembly and allow for the correct installation of all parts.
5. Keep all parts away from any source of fire.

EAS00021

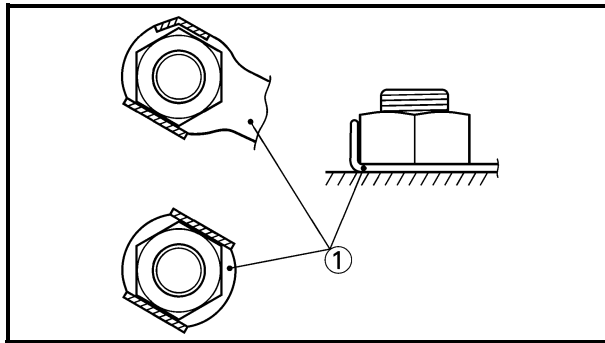
REPLACEMENT PARTS

Use only genuine Yamaha parts for all replacements. Use oil and grease recommended by Yamaha for all lubrication jobs. Other brands may be similar in function and appearance, but inferior in quality.

EAS00022

GASKETS, OIL SEALS AND O-RINGS

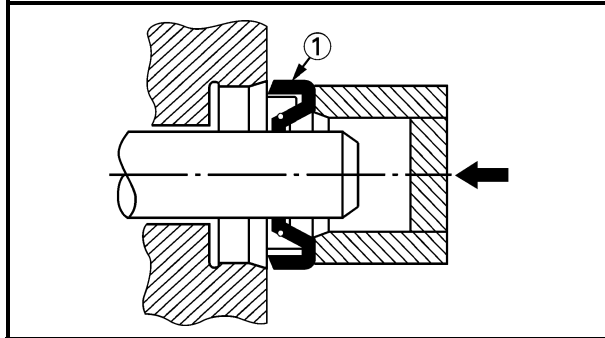
1. When overhauling the engine, replace all gaskets, seals and O-rings. All gasket surfaces, oil seal lips and O-rings must be cleaned.
2. During reassembly, properly oil all mating parts and bearings and lubricate the oil seal lips with grease.



EAS00023

LOCK WASHERS/PLATES AND COTTER PINS

After removal, replace all lock washers/plates ① and cotter pins. After the bolt or nut has been tightened to specification, bend the lock tabs along a flat of the bolt or nut.



EAS00024

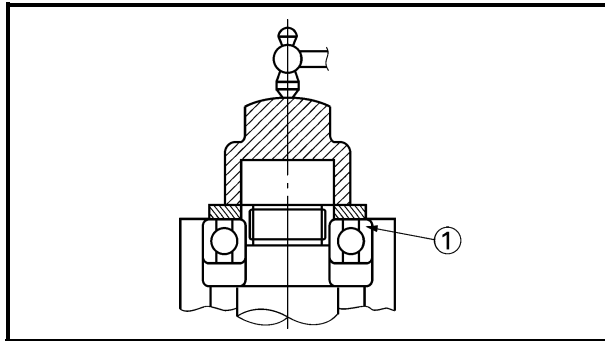
BEARINGS AND OIL SEALS

Install bearings and oil seals so that the manufacturer's marks or numbers are visible. When installing oil seals, lubricate the oil seal lips with a light coat of lithium-soap-based grease. Oil bearings liberally when installing, if appropriate.

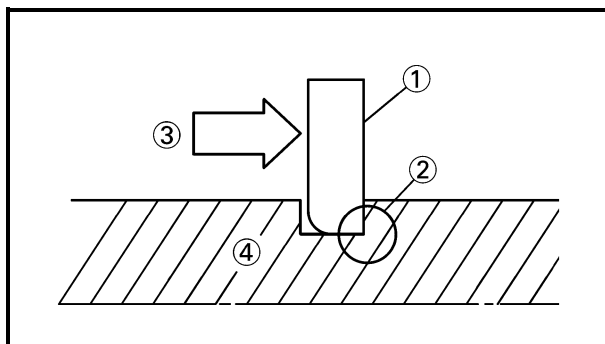
① Oil seal

CAUTION:

Do not spin the bearing with compressed air because this will damage the bearing surfaces.



① Bearing

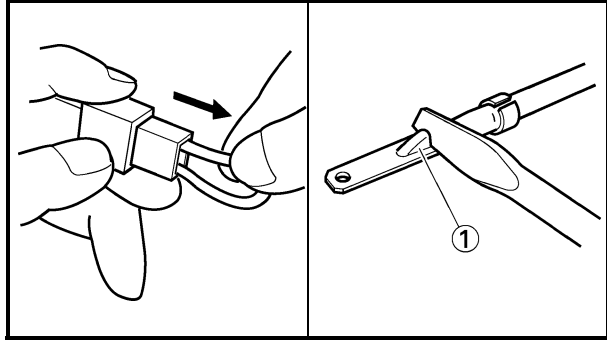
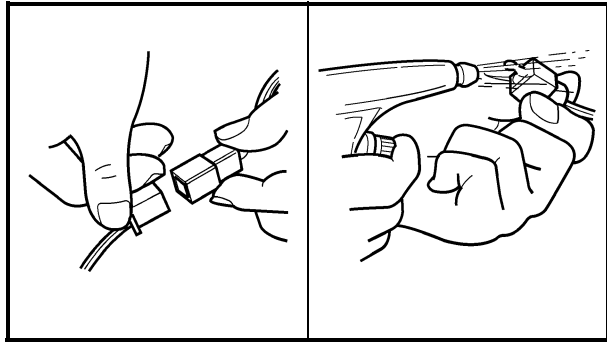


EAS00025

CIRCLIPS

Before reassembly, check all circlips carefully and replace damaged or distorted circlips. Always replace piston pin clips after one use. When installing a circlip ①, make sure the sharp-edged corner ② is positioned opposite the thrust ③ that the circlip receives.

④ Shaft



EAS00026

CHECKING THE CONNECTIONS

Check the leads, couplers, and connectors for stains, rust, moisture, etc.

1. Disconnect:

- lead
- coupler
- connector

2. Check:

- lead
- coupler
- connector

Moisture → Dry with an air blower.

Rust/stains → Connect and disconnect several times.

3. Check:

- all connections

Loose connection → Connect properly.

NOTE: _____

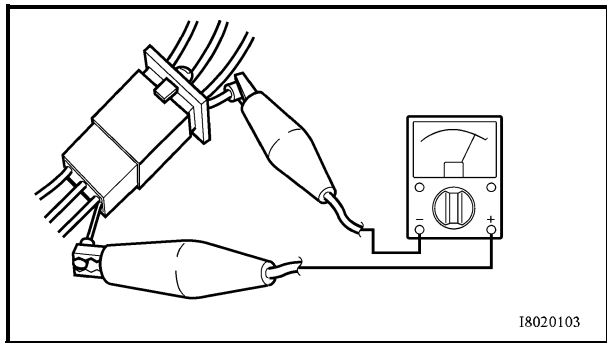
If the pin ① on the terminal is flattened, bend it up.

4. Connect:

- lead
- coupler
- connector

NOTE: _____

Make sure all connections are tight.



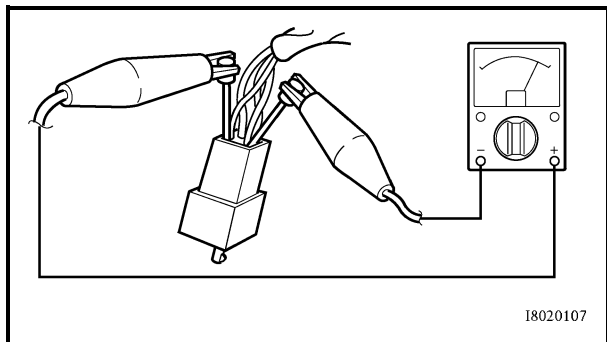
5. Check:

- continuity
(with the pocket tester)

	Pocket tester YM-03112
---	-----------------------------------

NOTE: _____

- If there is no continuity, clean the terminals.
- When checking the wire harness, perform steps (1) to (3).
- As a quick remedy, use a contact revitalizer available at most part stores.

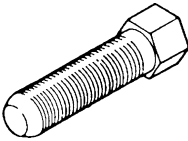
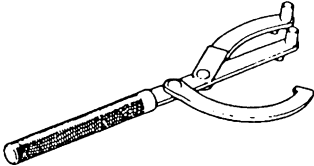
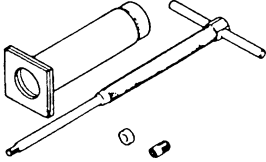
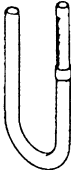
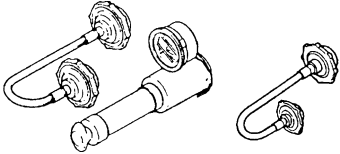
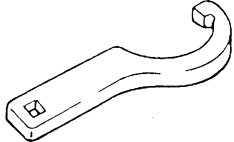
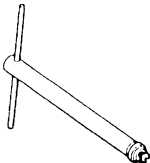


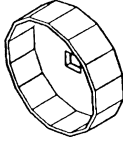
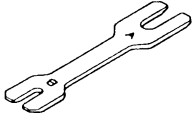
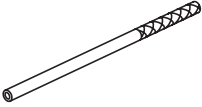
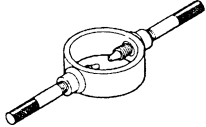
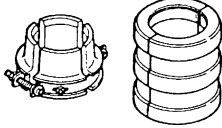

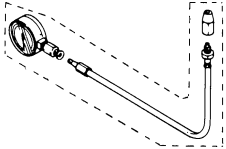
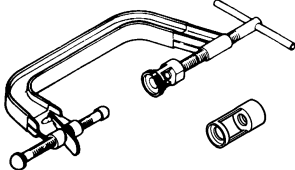
EAS00027

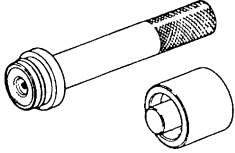
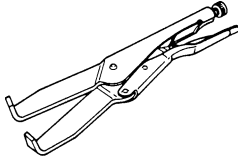
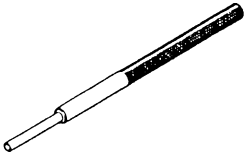
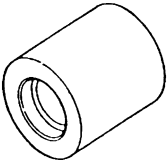
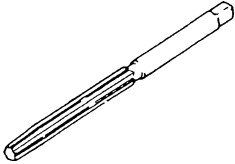
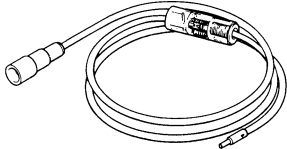
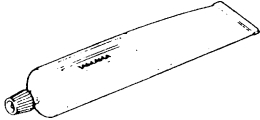
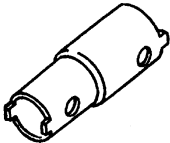
SPECIAL TOOLS

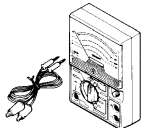
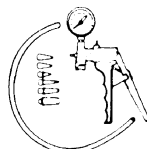

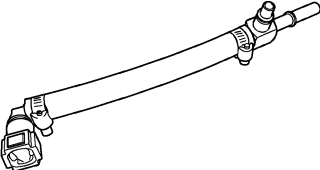
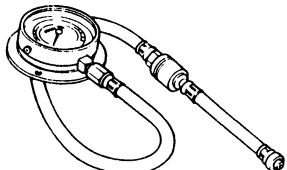
The following special tools are necessary for complete and accurate tune-up and assembly. Use only the appropriate special tools as this will help prevent damage caused by the use of inappropriate tools or improvised techniques. Special tools, part numbers or both may differ depending on the country.

When placing an order, refer to the list provided below to avoid any mistakes.

Tool No.	Tool name/Function	Illustration
YM-01080-A	<p>Flywheel puller</p> <p>This tool is used to remove the generator rotor.</p>	
YU-01235	<p>Rotor holding tool</p> <p>This tool is used to hold the generator rotor when removing or installing the generator rotor bolt or pickup coil rotor bolt.</p>	
YU-01304	<p>Piston pin puller</p> <p>This tool is used to remove the piston pins.</p>	
YU-01312-A	<p>Fuel level gauge</p> <p>This tool is used to measure the fuel level in the float chamber.</p>	
<p>Radiator cap tester YU-24460-01 Adapter YU-33984</p>	<p>Radiator cap tester Radiator cap tester adapter</p> <p>These tools are used to check the cooling system.</p>	
YU-33975	<p>Steering nut wrench</p> <p>This tool is used to loosen or tighten the steering stem ring nuts.</p>	
YM-1423	<p>Damper rod holder</p> <p>This tool is used to hold the damper rod assembly when loosening or tightening the damper rod assembly bolt.</p>	

Tool No.	Tool name/Function	Illustration
YU-38411	<p>Oil filter wrench</p> <p>This tool is needed to loosen or tighten the oil filter cartridge.</p>	
YM-01434	<p>Rod holder</p> <p>This tool is used to support the damper adjusting rod.</p>	
<p>Rod puller YM-01437</p>	<p>Rod puller</p> <p>These tools are used to pull up the front fork damper rod.</p>	
YM-01441	<p>Fork spring compressor</p> <p>This tool is used to disassemble or assemble the front fork legs.</p>	
YM-01442	<p>Fork seal driver</p> <p>This tool is used to install the front fork's oil seal and dust seal.</p>	
YU-08030	<p>Carburetor synchronizer</p> <p>This guide is used to synchronize the carburetors.</p>	
<p>Compression gauge YU-33223 Adapter YU-33223-3</p>	<p>Compression gauge Compression gauge adapter</p> <p>These tools are used to measure engine compression.</p>	
<p>Valve spring compressor YM-04019 Attachment YM-4108 YM-4114</p>	<p>Valve spring compressor Valve spring compressor attachment</p> <p>These tools are used to remove or install the valve assemblies.</p>	

Tool No.	Tool name/Function	Illustration
Middle driven shaft bearing driver YM-4058-1 Mechanical seal installer YM-33221	Middle driven shaft bearing driver Mechanical seal installer These tools are used to install the water pump seal.	
YM-91042	Universal clutch holder This tool is used to hold the clutch boss when removing or installing the clutch boss nut.	
(4 mm, 0.16 in) 90890-04111 (4.5 mm, 0.18 in) YM-4116	Valve guide remover This tool is used to remove or install the valve guides.	
(4 mm, 0.16 in) 90890-04112 (4.5 mm, 0.18 in) YM-4117	Valve guide installer This tool is used to install the valve guides.	
(4 mm, 0.16 in) 90890-04113 (4.5 mm, 0.18 in) YM-4118	Valve guide reamer This tool is used to re bore the new valve guides.	
YM-34487	Dynamic spark tester This tool is used to check the ignition system components.	
ACC-11001-05-01	Quick Gasket® This bond is used to seal two mating surfaces (e.g., crankcase mating surfaces).	
YM-01471	Pivot shaft wrench This tool is need to loosen or tighten the spacer bolt.	

Tool No.	Tool name/Function	Illustration
YM-03112	<p>Pocket tester</p> <p>This instrument is needed for checking the engine oil temperature.</p>	
YB-35956	<p>Mity vac</p> <p>This tool used to measure the vacuum pressure.</p>	
YM-8037	<p>Piston ring compressor</p> <p>This tool is used to compress the piston rings when installing the piston into the cylinder.</p>	
YM-03176	<p>Fuel pressure adapter</p> <p>This tool is needed to measure fuel pressure.</p>	
YU-03153	<p>Pressure gauge</p> <p>This tool used is to measure fuel pressure.</p>	
90890-03158	<p>Carburetor angle driver</p> <p>This tool is used to turn the air screw when synchronizing the throttle bodies.</p>	